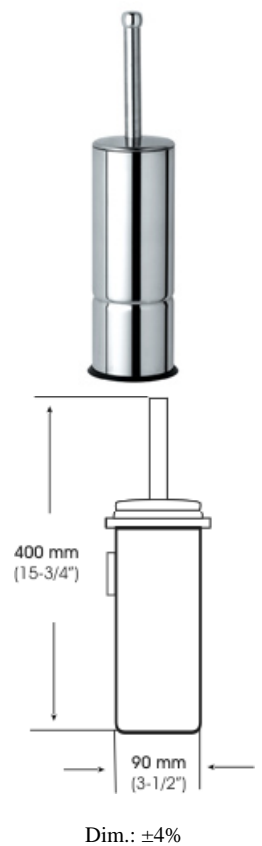



	Code:
<p>General description</p>	 <p>400 mm (15-3/4")</p> <p>90 mm (3-1/2")</p> <p>Dim.: ±4%</p>
<p>Components and Materials</p>	
<p>Technical Specifications</p> <div style="border: 1px solid black; padding: 5px; width: fit-content; margin: 10px auto;"> <p>Maximum dimensions - 400 x 90 x 90 mm Body - Ø 90 mm</p> </div>	
<p>Operation</p>	
<p>Mediclinics, S.A., reserves the right to make changes and/or modifications to the products and their specifications without prior notice.</p> <p style="text-align: center;">mediclinics S.A</p> <div style="text-align: right;">  </div>	