

## SENSOR OPERATED

## Machflow Plus with brushless motor



M19A/M19A-FIL/M19A-I  
White finish



M19AB/M19AB-FIL/M19AB-I  
Black finish



M19AC/M19AC-FIL/M19AC-I  
Bright finish



M19ACS/M19ACS-FIL/M19ACS-I  
Satin finish

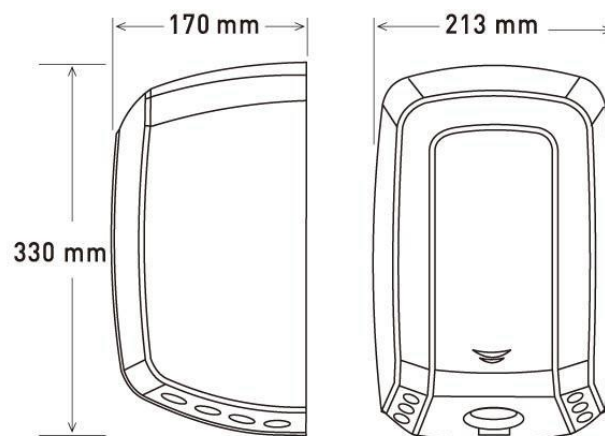
### General description

- Sensor operated high-speed hand dryer with free-maintenance brushless motor, ensuring long lifespan, being ideal for an intensive usage.
- With a compact and very robust design, this hand dryer is energetically very efficient and sustainable, providing great energy savings and ultra-fast hand drying. Strongly recommended for high traffic places.
- Universal voltage – accepts 100-120 / 220-240 VAC input.
- It has an adjustable power motor that regulates energy consumption (between 250 and 1,100W) and provides a maximum air output speed of 340 km/h that dries your hands between 8 and 15 seconds.
- Machflow Plus can incorporate, optionally, a HEPA filter media that filters the solid particles in suspension (pollen, dust mites, tobacco smoke, etc.) significantly improving air quality.
- As a complement to the HEPA filter medium, and also optionally, the Machflow Plus can incorporate an ionizer ("Ion Hygienic" technology) that cleans and purifies the air through the emission of anions, eliminating most of the germs and particles transported through the air, helping it to be purer and healthier.
- Optionally, it is also possible to incorporate a quick assembly / disassembly kit for the machine ("Plug-in" kit code KTP009) that allows you to install and uninstall the hand dryer easily, quickly and safely, making maintenance much more efficient and reducing your costs at the same time.
- New air concentrator nozzle which helps to channel better the airflow on the hands. Instead of blowing air all over the hands, it focuses the airflow for a more targeted drying. The narrower opening of the concentrator gives the airflow greater pressure on exit, boosting its speed and thus, making the hand drying process much more efficient. **Only available in models with ionizer "Ion Hygienic"**.
- It has an odor neutralizer, code RCPOM14 that aromatizes and deodorizes the environment thanks to its soft fragrance (optional).
- Machflow Plus is equipped with an automatic safety disconnection system that switches it off automatically after 30 seconds of continuous use.
- It is supplied as standard with all the elements to fix it to a brick wall.

### Technical Specifications

<b>Voltage</b>	100 - 120V / 220 - 240V
<b>Frequency</b>	50/60Hz
<b>Electrical Isolation</b>	Class I
<b>Total power</b>	250 – 1,100W
<b>Consumption</b>	1.3 – 4.8A
<b>Motor power</b>	900W
<b>Rpm</b>	17,600 – 27,600
<b>Heating element power</b>	200W or 0W (ON/OFF switch)
<b>Dimensions</b>	330x213x170 mm
<b>Weight</b>	5.5Kg
<b>Cover thickness</b>	1.5mm
<b>Drying time</b>	8-15sec
<b>Effective airflow</b>	101 - 177 m <sup>3</sup> /h (1,680 - 2,950 l/min)
<b>Air velocity</b>	220 – 340Km/h
<b>Air temperature (10 cm distance/23°C)</b>	42°C
<b>Sound pressure (*) (at 2m)</b>	67 – 74dBA
<b>Protection rating</b>	IP23

### Dimensions



Dimensions: ± 4%

## Components and materials

- **COVER:** made of one piece without welding of steel (M19A... and M19AB...) or AISI 304 stainless steel (M19AC... and M19ACS...), 1.5 mm thick.
- **BASE PLATE:** made of PA6V0 fire resistant plastic. It incorporates 4 silent-blocks to cushion mechanical vibrations.
- **INTERIOR SET:** made of PA6V0 fire resistant plastic.
- **MOTOR:** extremely durable high-speed Class F brushless motor, maintenance free, with adjustable power, allowing electricity consumption and sound pressure to be regulated.
- **HEATING ELEMENT:** minimum waved wire NiCr heating element of 400W, mounted on a mica frame that incorporates a self-resetable thermal cut-off which disconnects the whole appliance. The heating element can be disconnected by means of a ON/OFF switch.
- **HANDS DETECTION SYSTEM:** contactless self-adjusting infrared hand detection sensor, which assures the ideal sensor range for the specific location will be set automatically. After to power the source connection, it must wait 10 seconds in order to allow the system to set the ideal sensor distance range. It has an automatic disconnection system after 30" of continuous use.
- **HEPA FILTER MEDIUM:** which filters the solid particles in suspension (pollen, dust mites, tobacco smoke, etc.) significantly improving air quality (optional).
- **IONIZER:** cleans and purifies the air through negative ions (anions) that remove microscopic particles from the air and make it healthier (optional).
- **ODOR NEUTRALIZER:** aromatizes and deodorizes the environment through its soft fragrance (optional).

## Codes

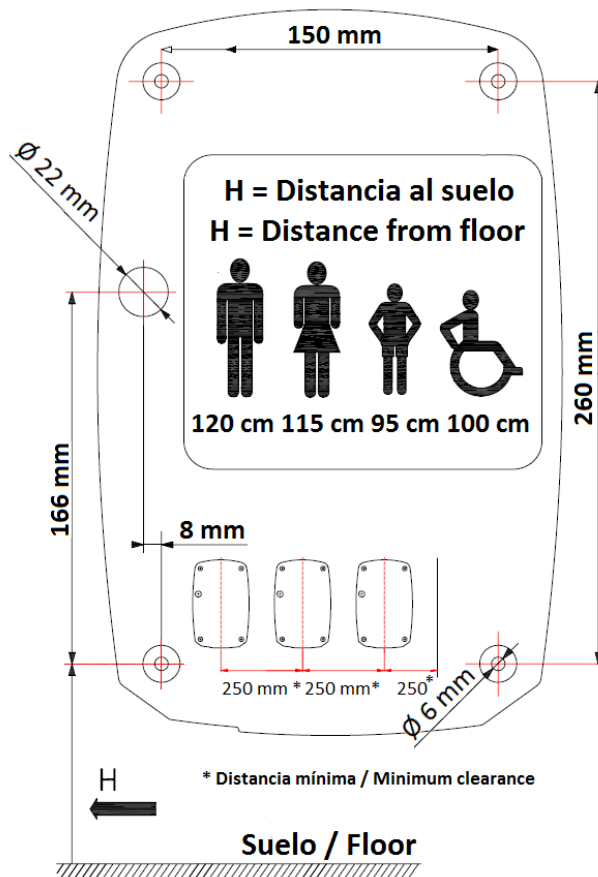
Cover material	Cover finish	HAND DRYER CODES		
		Neither HEPA filter medium nor Ionizer	HEPA filter medium	HEPA filter medium + Ionizer
Steel	White	M19A	M19A-FIL	M19A-I
Steel	Black	M19AB	M19AB-FIL	M19AB-I
Stainless steel	Bright	M19AC	M19AC-FIL	M19AC-I
Stainless steel	Satin	M19ACS	M19ACS-FIL	M19ACS-I

## OPERATION

Place the hands under the air outflow valve. The dryer will start automatically, and go on with no interruption as long as the hands are kept in the detection range of the sensor. The appliance will stop 2 seconds after the hands are removed from the airflow or 30 seconds after continuous working.

## MOUNTING

## RECOMMENDED HEIGHTS DISTANCE FROM THE FLOOR



## PLUG-IN SYSTEM

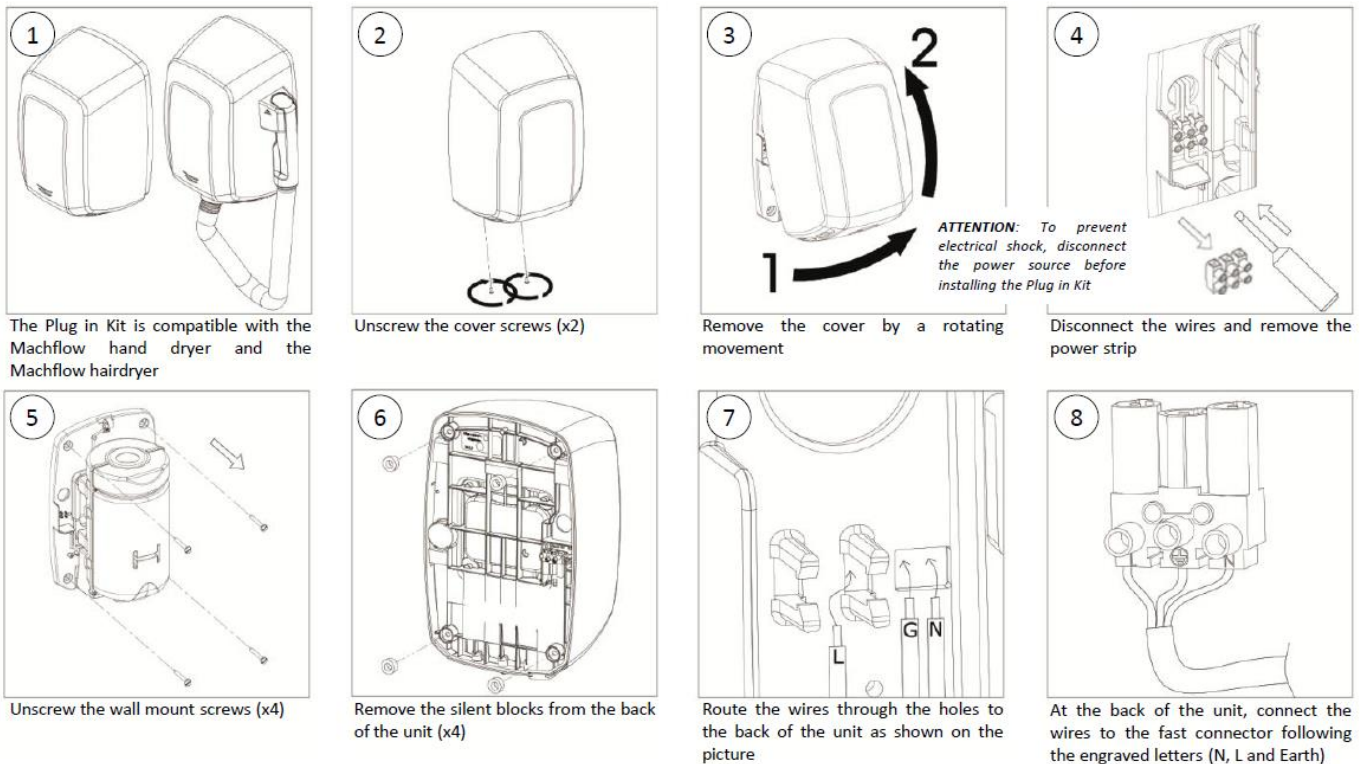
The Machflow® Plug-in technology is an easy, practical, fast and secure system to install and uninstall a hand dryer, making maintenance much more efficient and reducing at the same time its costs.

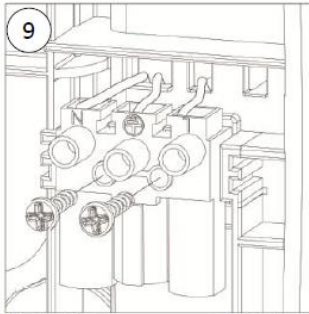


With the Machflow® Plug-in technology a hand dryer can be installed in a few steps and it can be replaced in less than 10 seconds thanks to its SMED (Single-Minute Exchange of Die) system. Furthermore its maintenance can be carried out better at the maintenance workshop and it is totally secure against electric shocks. All of these benefits allow you to reduce the maintenance costs.

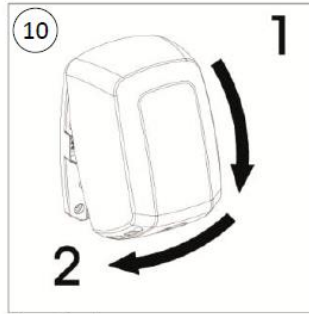
This fast install/uninstall technology to the wall **is optional** and it is carried out by means of a special kit code: KTP009.

Installation of the dryer with this system is as follows:





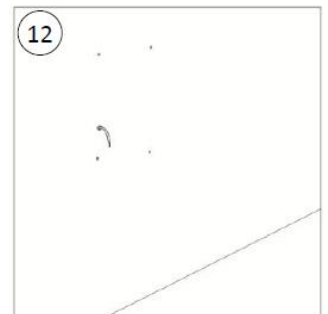
Fix the fast connector to the back of the unit using 2 screws



Close the dryer cover



Screw the cover fixing screws (x2)  
Your dryer is now ready to be used on a Plug-in base



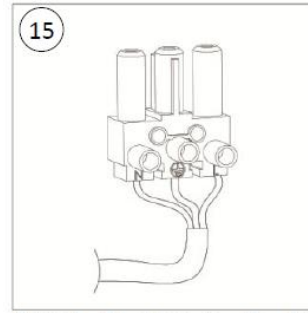
Same wall holes may be used for the Plug-in installation



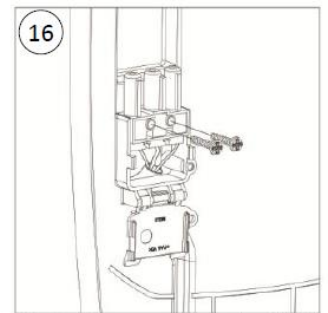
Route the wires through the Plug-in base as shown on the picture



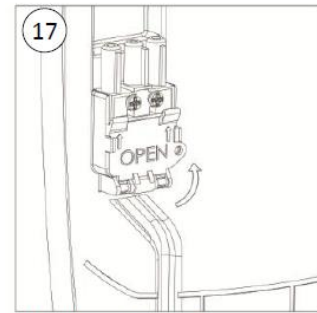
Screw the Plug-in base to the wall(x4)



Connect the wires to the fast connector following the engraved

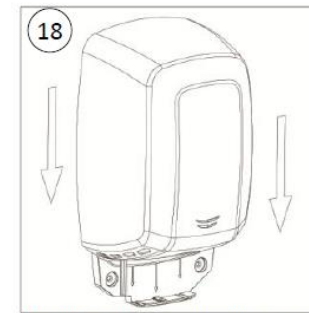


Fix the fast connector to the Plug-in base using 2 screws

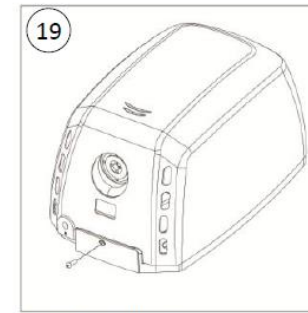


Close the security cover

Your Plug-in base is now ready to be used with a Plug-in dryer



Mount the dryer over the Plug-in base with a from top to down movement



Screw the safety screw

Your dryer is ready to be used

## CERTIFICATES AND QUALIFICATIONS



Electromagnetic  
Compatibility  
Regular Production  
Surveillance



Mediclinics, S.A., reserves the right to make changes and/or modifications to the products and their specifications without prior notice.  
Review: 12-20 © mediclinics S.A.

