

SURFACE

Automatic



DJ0037A
White epoxy finish



DJ0037AB
Black epoxy finish



DJ0037AC
Bright finish



DJ0037ACS
Satin finish



General Description

- Automatic wall-mounted liquid soap dispenser of 1 L capacity, manufactured in stainless steel AISI 304, 0.8 mm thick.
- Available in four finishes (white, black, bright and satin) these soap dispenser models have a functional, robust and trendy design that matches the new range of Mediclinics bathroom accessories. This allows this soap dispenser to blend into any space perfectly.
- Suitable for high traffic facilities and for public use.
- Level display located in the front part of the soap dispenser. It constantly indicates the level of soap available inside the soap dispenser.
- Operates on 6 AA alkaline batteries (not provided) or **optionally**, with an AC adapter. Order reference DJ0037A/C/CS-TRAFO to receive the automatic soap dispenser able to be connected to the mains with the AC adapter.
- Dispenses liquid soaps with neutral pH, chlorine free, density between 0.9 and 1.35 kg/dm³ and a maximum alcohol content of 80%. Surgical soaps and soaps with solid abrasive particles are not supported.
- Screws and plastic plugs to mount on a brick wall supplied.

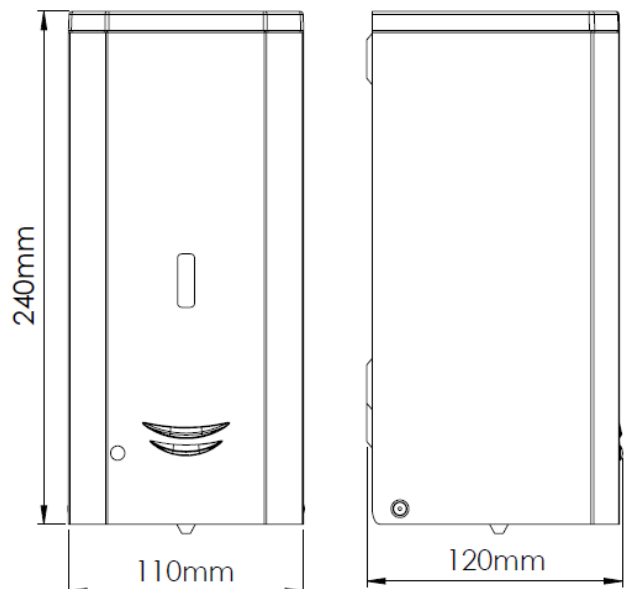
Components & materials

- **DJ0037A:** Stainless steel AISI 304, white epoxy finish.
- **DJ0037AB:** Stainless steel AISI 304, black epoxy finish.
- **DJ0037AC:** Stainless steel AISI 304, bright finish.
- **DJ0037ACS:** Stainless steel AISI 304, satin finish.
- **COVER:** made of stainless steel AISI 304, 0.8 mm thick.
- **WALL PLATE:** made of stainless steel AISI 304, 0.8 mm thick. It is mounted on the wall by means of four Ø4 stainless steel screws (provided) with their corresponding Ø 6mm plastic plugs (also provided).
- **INNER PLASTIC TANK:** prevents oxidation and that can be easily removed for cleaning and disinfection purposes.
- **INFRA-RED DETECTION:** with a 5 cm hands detection range.
- **VALVE:** anti-drip corrosion resistant that dispenses 1.5 ml of soap per service. This anti-drip valve, which dispenses liquid soap, is easily interchangeable with the valves of the other soap dispensers of the same line.
- **HINGED COVER:** for operator convenience and speed of service. Opening on top with provided Mediclinics key that allows soap refill.
- **POWER:** 6 AA alkaline batteries (not provided) or **optionally**, AC adapter. Order reference DJ0037A/C/CS-TRAFO to receive the automatic soap dispenser able to be connected to the mains with the electrical transformer.

Technical specifications

Dimensions	240 x 110 x 120 mm
Capacity	1 L
Body, cover & base plate thickness	0.8 mm
Inner Tank Thickness	2.5 mm
Net weight	1.25 Kg
Quantity dispensed per pump	1.5 ml
Maximum alcohol content in soap	80%

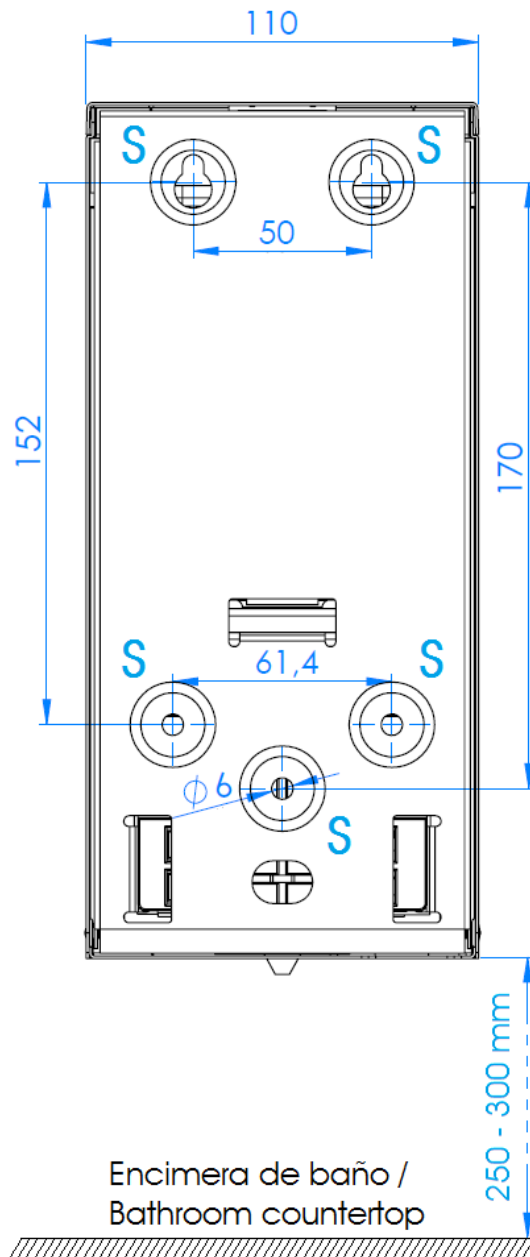
Dimensions



Dimensions: ± 4%

MOUNTING TEMPLATE

Fix the soap dispenser through the holes of the wall and floor plates, using the stainless steel screws supplied and taking into account the distances of the points indicated by an "S" in the next figure:



VERY IMPORTANT: do not install this soap dispenser inside the shower, as its electrical components can be seriously damaged by water and the dispenser stops working. If you choose the configuration with an electric converter, install it away from any source of water.

Mediclinics, S.A., reserves the right to make changes and/or modifications to the products and their specifications without prior notice
Review 07-19 © mediclinics S.A.

