

RECESSED

Push-button



DJT118
Bright finish

General description

- Countertop-mounted soap dispenser shall dispense 950ml.
- Push-button actuated.
- Model suitable for collectivities and for installation in areas with high traffic of people.
- Dispenses liquid soap or hand sanitizing gels.
- It is recommended to use liquid soap or hand sanitizing gel with the following characteristics:
 - Maximum alcohol content of 80%
 - Density between 0.9 and 1.35 kg/dm³
 - Viscosity between 500 and 2,500 cps.

It does not support soaps that contain methanol, chlorine or solid or abrasive particles.

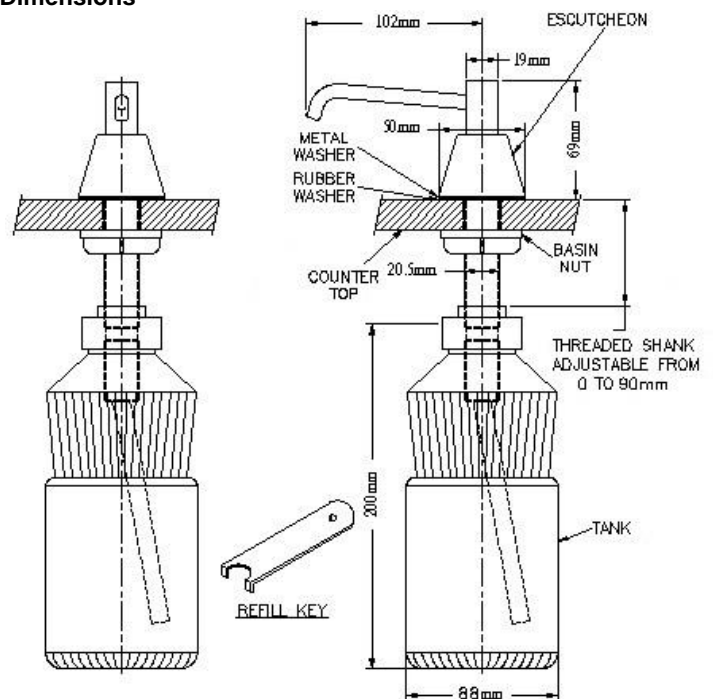
Components and materials

- **DISPENSER STEM & 102 MM SPOUT:** chrome-plated brass, bright finish, with rubber "duck bill" check valves and an O-ring seal. Vandal-resistant spout shall rotate 360° without damage to unit. Valve operation shall comply with ADA Accessibility (no more than 22.2 Newtons of pressure to actuate without grasping or twisting by operator).
- **TANK:** shall be translucent, shatter-resistant polyethylene, refillable from the top
- **THREADED SHANK:** shall be gray thermoplastic ABS, shatter-resistant.
- **ESCUTCHEON:** made of chrome-plated brass, bright finish.
- **VALVE BODY, INTERNAL PARTS, BASIN NUT AND TANK ADAPTER:** modeled plastic.
- **SPRING, ESCUTCHEON WASHER, STEM RETAINER COLLAR AND SCREW:** made of stainless steel.

Technical Specifications

Weight (empty)	0,425 Kg
Pressure pulsation	20,0 N
Capacity	0,95 L
Quantity dispensed per pump	1 ml
Escutcheon	Ø50 mm
Countertop hole	Ø25 mm
Tank height	216 mm

Dimensions



Dimensions ±4%

MOUNTING TEMPLATE

Countertop recessed, according to dimensions showed in the previous sketch.

Unit is typically located adjacent to a flush mounted lavatory, through Ø 22-25 mm cut out (by others) in counter top. An adjustable threaded shank allows for installation in counter tops up to 90mm high.