

# High speed hair dryer

Push button activation

Individual use

Ref. SC0050-B

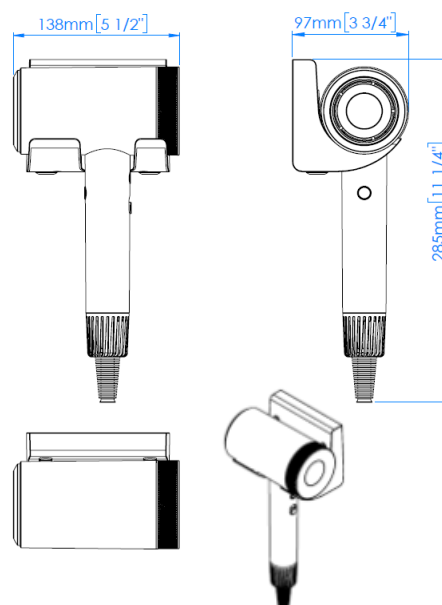
## OVERVIEW

- Exclusive wall-mounted hair dryer for hotel bathrooms, featuring a functional, robust, and modern design that integrates into any space.
- Magnetic air diffuser.
- Anti-vandalism wall-mounted hair dryer.
- Activated by a push button.
- The hair dryer incorporates a thermal safety cut-out.
- It also features an ion generator system that neutralizes static electricity in the hair, reducing frizz and helping to maintain its natural moisture.
- Includes a removable air filter.

## TECHNICAL DATA

Voltage	220 – 240 V
Frequency	50/60 Hz
Electrical isolation	Clase II
Total power	75 – 2.000 W
Consumption	0,6 – 8,4 A
Rpm	90.000 rpm
Weight	0,86 kg
Air velocity	108 – 152 km/h
Air temperatura (10 cm distance/25°C)	77°C
Protection rating	IPX0

## DIMENSIONS



## OPERATION

- Plug the hair dryer to the mains and pick up the dryer body. The dryer will only work when the spring button is held on; move the push button up and down for higher or lower speed. "I" for minimum speed, "II" for maximum speed, "O" for OFF. The temperature button operates in a cyclic manner. Each press changes the mode in the following sequence: cool, warm, hot, and back to cool.



SC0050

ABS plastic

White

SC0050B

ABS plastic

Black

## COMPONENTS AND MATERIALS

- **Wall support:** made of ABS plastic.
- **Push button:** with three air temperature levels. Low (no heating, ambient air), medium, and high. LED colors indicate the selected temperature (blue for low, orange for medium, and red for high).
- **Front safety power push switch:** specially designed for hotel use. The hair dryer operates only while the switch is held down, preventing it from remaining on when placed over the sink.
- **Rear sliding switch:** three-position control to adjust airflow: off, low speed, and high speed.
- **Coiled cable:** 1,600 mm in length.
- **Plug:** 900 mm in length.

Mediclinics S.A reserves the right to make changes or modifications to the products and their specifications without prior notice.

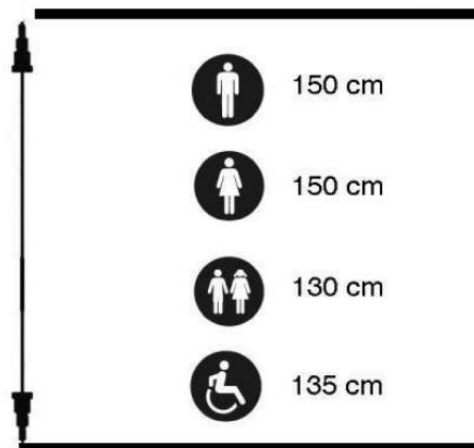


# High speed hair dryer

## GUIDE SPECIFICATION

High-speed hair dryer shall be push-button operated. The dryer shall allow speed adjustment via a sliding switch with three positions: "I" for low speed, "II" for high speed, and "O" for off. It shall incorporate a push button enabling selection among three air temperature levels: low, medium, and high. The selected temperature shall be indicated by an integrated LED lighting system, where blue corresponds to the low level, orange to the medium level, and red to the high level. The dryer shall weigh 0.86 kg. It shall be manufactured from ABS plastic and shall be available in white and black finishes. The motor speed shall reach 90,000 rpm. It shall operate at a frequency of 50/60 Hz and a voltage of 220–240 V, with a total power range of 75–2,000 W and a current consumption of 0.6–8.4 A. The airspeed shall range between 108 and 152 km/h. It shall incorporate an air filter and an ion generator system. It shall include a wall-mounting support. It shall comply with current applicable regulations for hair dryers.

## ASSEMBLY / RECOMMENDED INSTALLATION HEIGHTS



## CERTIFICATIONS



Mediclinics S.A reserves the right to make changes or modifications to the products and their specifications without prior notice.

