



# Soap dispenser



EN

Manual operation

Ref. DJ0120C

Recessed



DJ0120C

Stainless Steel AISI 304

Bright

## OVERVIEW

- Manual push-button liquid soap dispenser, designed for direct installation into the countertop.
- Suitable for washrooms with medium-high traffic frequency. Model suitable for public facilities.
- The reservoir is refilled through the decorative top cover by unscrewing it.
- Dispenses liquid soaps or hydroalcoholic gels.
- The use of liquid soap or gel-type disinfectant with the following characteristics is recommended:
  - Maximum alcohol content: 80%.
  - Density between 0.9 and 1.35 kg/dm<sup>3</sup>.
  - Viscosity between 500 and 2,500 cps.
- Soaps or hydroalcoholic gels containing methanol, chlorine, or solid/abrasive particles are not suitable.

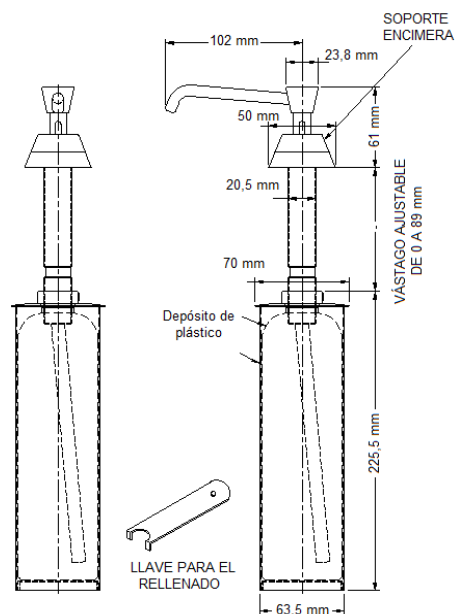
## TECHNICAL DATA

Capacity	500 ml
Countertop hole	Ø 22-25 mm
Countertop support	Ø 50 mm
Net weight	0.55 kg
Dispensed amount per push	1.0 ml

## COMPONENTS AND MATERIALS

- **Bottle:** made of AISI 304 stainless steel.
- **Push button and spout:** chrome-plated brass with duckbill valve and rubber washer. Requires a maximum actuation force of 22.2 N, and therefore complies with ADA regulations.
- **Inner reservoir:** made of translucent plastic, impact-resistant, preventing premature oxidation of the bottle.

## DIMENSIONS



Mediclinics S.A. reserves the right to make changes or modifications to the products and their specifications without prior notice.



## ☰ GUIDE SPECIFICATION

Manual soap dispenser shall weigh 0.55 kg. Soap tank shall be made of stainless Steel AISI 304 and shall have a capacity of 500 mL. The unit shall allow liquid soaps or hydroalcoholic gels. Liquid soap version shall require density 0.9–1.35 kg/dm<sup>3</sup>, max. alcohol content 80%, viscosity 500–2,500 cps; dispensed dose 1.0 mL.

## ✂ ASSEMBLY / RECOMMENDED INSTALLATION HEIGHTS

The unit is installed recessed into a countertop, usually next to a washbasin, through a countertop hole with a diameter of 22–25 mm. The adjustable threaded stem allows installation on countertops up to 89 mm thick.

Mediclinics S.A. reserves the right to make changes or modifications to the products and their specifications without prior notice.