



Fill glasses with tap water from wall

Mains water dispensers

Wall-mounted

Ref. FAM135CS



FAM135CS
Stainless Steel AISI 304
Satin

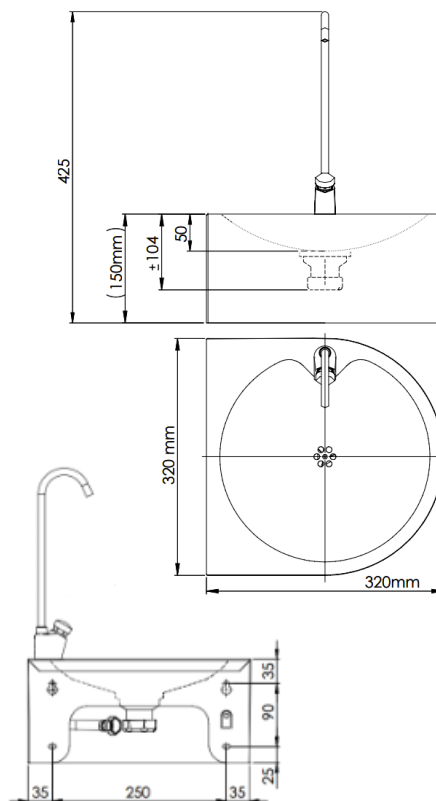
OVERVIEW

- Mains-fed, non-refrigerated drinking water filler designed for wall mounting.
- An ideal solution for indoor and outdoor public spaces such as waiting rooms, schools, universities, shopping centres, airports, sports facilities, factories, etc. This model is suitable for public use, offering high resistance and durability.
- It connects very easily to the mains drinking water supply and provides a constant flow of water at room temperature.
- This mains-fed water filler features a contoured basin, specially designed to minimize splashing.
- All edges are rounded and free of sharp corners to prevent user injury, while ensuring maximum hygiene and very easy maintenance.
- Supplied with fixing elements for brick walls and a 3/8" flexible hose to connect the tap to the water supply.

TECHNICAL DATA

Stainless steel thickness	1.2 mm
Water inlet	3/8"
Water outlet	Ø 1 1/4"
Net weight	2.4 kg

DIMENSIONS



COMPONENTS AND MATERIALS

- **Body:** The contoured design of its bowl minimizes splashing.
- **Filling valve:** made of chrome-plated brass, with instant shut-off and adjustable water flow, featuring an M3/8" thread. It also includes a manual push button, also made of chrome-plated brass.

Mediclinics S.A reserves the right to make changes or modifications to the products and their specifications without prior notice.



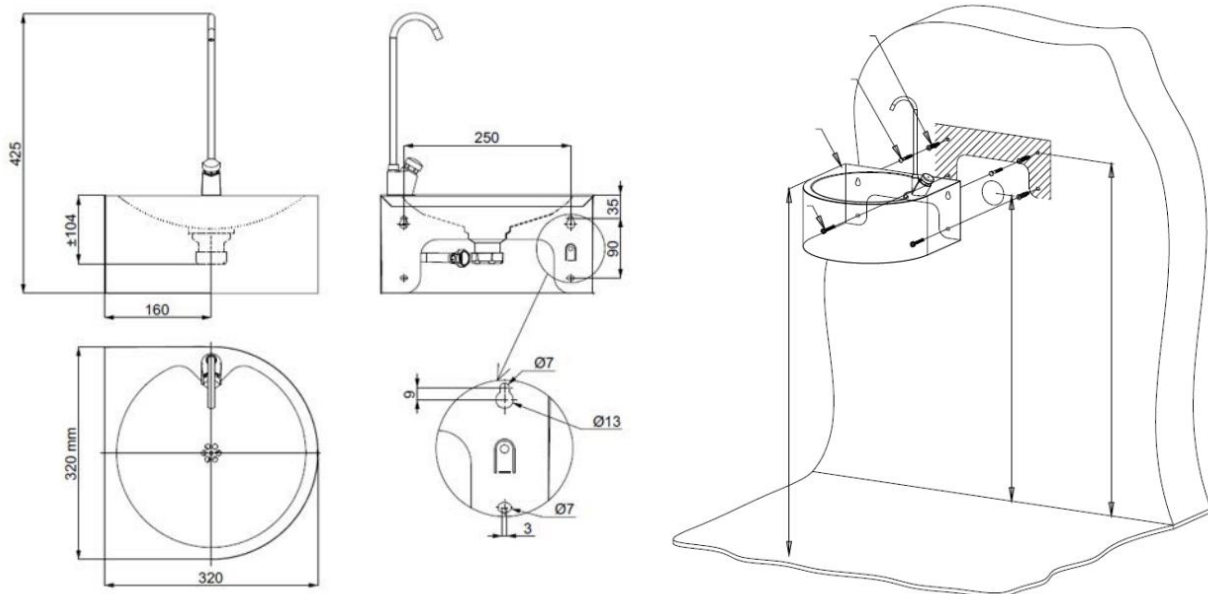
Fill glasses with tap water from wall

GUIDE SPECIFICATION

A mains-fed, non-refrigerated drinking water filler shall be designed for wall mounting. The body of the unit shall be made of AISI 304 stainless steel with a satin finish. The thickness of the stainless steel shall be 1.2 mm. The material of the water filler shall be chrome-plated brass. The weight of the unit shall be 2.40 kg. The water inlet shall be 3/8", and the outlet shall be $\varnothing 1 \frac{1}{4}$ ".

ASSEMBLY / RECOMMENDED INSTALLATION HEIGHTS

Fix the water filler to the wall using the supplied stainless steel screws through the corresponding holes located at the rear of the unit (points indicated by an "S" in the figure below), following the specified order.



Mediclinics S.A reserves the right to make changes or modifications to the products and their specifications without prior notice.