

# Soap dispenser for behind the mirror

Soap dispenser

For installation behind the mirror

Ref. DJ024BTM



DJ024BTM

ABS body, stainless steel AISI 304 support

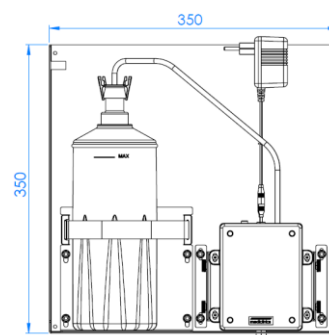
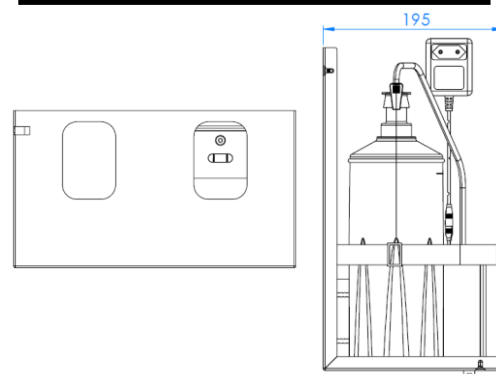
## OVERVIEW

- Automatic soap dispenser for concealed installation behind the mirror.
- Powered by a 6 V power adapter, with optional operation using 4 x LR6 1.5V batteries.
- The soap outlet direction can be adjusted according to a customized configuration.
- Complies with the standards related to the European LVD Directive 2014/35/EU (EN 60335-1, EN 61000-3-2, EN 61000-3-3).
- The module can be used with the following behind-the-mirror models:
  - BTM02
  - BTM03
  - BTM12
  - BTM13

## TECHNICAL DATA

Voltage	220 – 240 V
Frequency	50/60 Hz
Bottle capacity	1,5 L

## DIMENSIONS



Dimensions in mm

## COMPONENTS AND MATERIALS

- Soap viscosity:
  - Gel: 1–3,500 cps
  - Foam: 1–20 cps
- Dispenser suitable for other tank sizes, including a standard 5-liter plastic container (provided by the user).

## OPERATION

- Automatic operation via an infrared sensor with an adjustable detection range.

Mediclinics S.A reserves the right to make changes or modifications to the products and their specifications without prior notice.



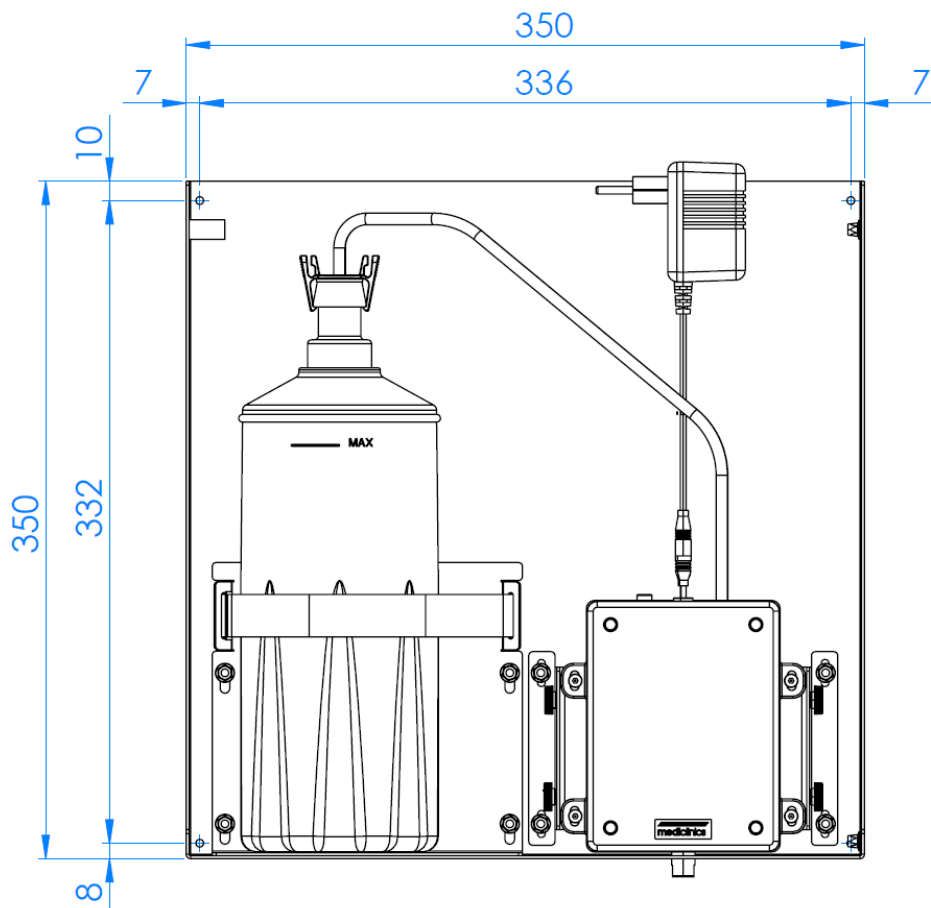
# Soap dispenser for behind the mirror

## GUIDE SPECIFICATION

The soap dispenser shall have an infrared sensor on the lower part. The weight of the dispenser shall be 3.80 kg. It shall operate at a frequency of 50/60 Hz and a voltage of 220–240 V, or by 4 x LR6 1.5 V batteries. The tank capacity shall be 1.50 L. The soap viscosity shall be 1–3,500 cps for gel and 1–20 cps for foam. The motion detection distance shall be adjustable by magnet between 5–25 cm. It shall comply with the standards related to the European LVD Directive 2014/35/EU (EN 60335-1, EN 61000-3-2, EN 61000-3-3).

## ASSEMBLY / RECOMMENDED INSTALLATION HEIGHTS

Attached below is the drawing with the marked installation points and their corresponding dimensions:



Mediclinics S.A reserves the right to make changes or modifications to the products and their specifications without prior notice.

