



# Soap dispenser

**mediclinics**

EN

Manual operation

Ref. DJ0121C

Recessed



DJ0121C

Polyethylene

Bright

## OVERVIEW

- Manual push-button liquid soap dispenser, designed for direct installation into the countertop.
- Suitable for washrooms with medium-high traffic frequency. Model suitable for public facilities.
- The reservoir is refilled through the decorative top cover by unscrewing it.
- Dispenses liquid soaps or hydroalcoholic gels.
- The use of liquid soap or gel-type disinfectant with the following characteristics is recommended:
  - Maximum alcohol content: 80%.
  - Density between 0.9 and 1.35 kg/dm<sup>3</sup>.
  - Viscosity between 500 and 2,500 cps.
- Soaps or hydroalcoholic gels containing methanol, chlorine, or solid/abrasive particles are not suitable.

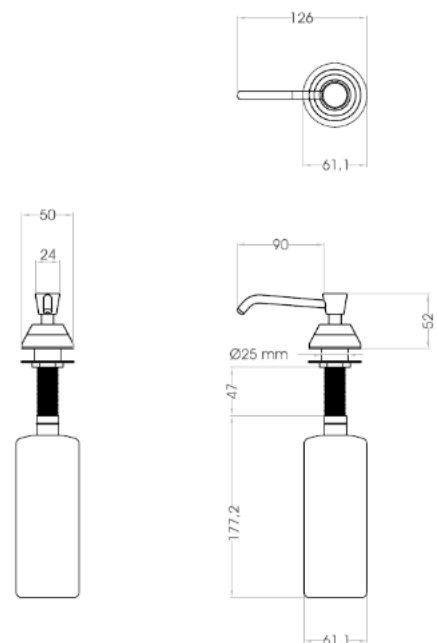
## TECHNICAL DATA

Countertop hole	Ø 25 mm
Weight (empty)	0.55 kg
Capacity	500 ml
Dispensed amount per push	1.0 ml
Actuation force	20 N

## COMPONENTS AND MATERIALS

- **Reservoir:** made of white polyethylene, 0.5 L capacity.
- **Push button:** made of chrome-plated brass.
- **Valve:** drip-proof and corrosion-resistant; includes ABS cylinder and stainless steel spring.
- **Soap outlet spout:** made of chrome-plated brass.
- **Decorative top cover:** made of chrome-plated brass.
- **Stem:** threaded, made of chrome-plated brass.

## DIMENSIONS



Dimensions in mm

Mediclinics S.A. reserves the right to make changes or modifications to the products and their specifications without prior notice.



[www.mediclinics.com](http://www.mediclinics.com)



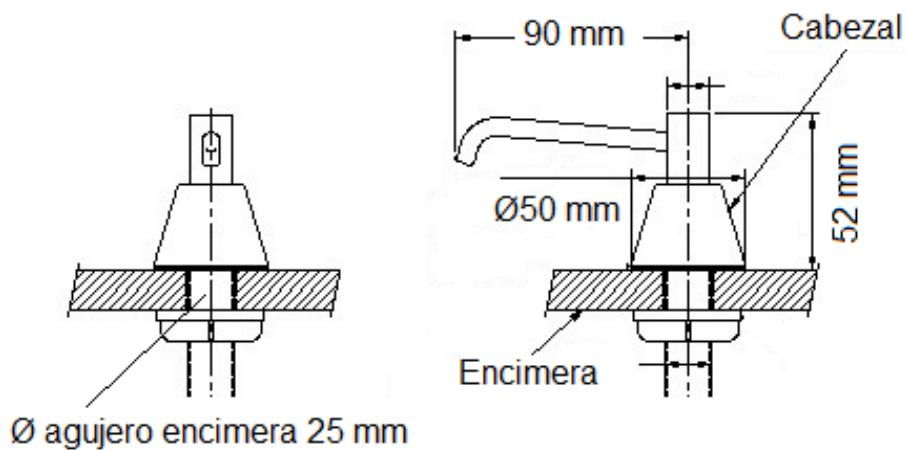
REVISION:  
02-26

## ≡ GUIDE SPECIFICATION

Manual soap dispenser shall weigh 0.55 kg. Soap tank shall be made of white polyethylene and shall have a capacity of 500 mL. The unit shall allow liquid soaps or hydroalcoholic gels. Liquid soap version shall require density 0.9–1.35 kg/dm<sup>3</sup>, max. alcohol content 80%, viscosity 500–2,500 cps; dispensed dose 1.0 mL.

## ✂ ASSEMBLY / RECOMMENDED INSTALLATION HEIGHTS

Install directly on the bathroom countertop through a  $\varnothing$  25 mm hole, as shown in the following figure:



Mediclinics S.A. reserves the right to make changes or modifications to the products and their specifications without prior notice.