



50 YEARS **mediclinics**

Distributor price list
2024/2025



Sagrada Família, Barcelona



“Our aim is to offer comprehensive solutions that cover all our customers’ bathroom equipment needs, with innovatively designed and high-performance products.”

Guide to bathroom equipment and technical mobility aids for public facilities

CODE	DESCRIPTION	PAGE
9391005SMD	Optional toilet paper spindle for model PR2789	25
AC0083C	Tissue dispenser 270x53x145 mm, bright chrome-plated brass, Medicrom Series	37
AC0780C	Glass shelf 600x64x134 mm, bright chrome-plated brass, Medicrom Series	37
AC0956C	Angled grab bar 423x120x207 mm, bright chrome-plated brass, Medicrom Series	36
AC0957C	Grab bar with soap dish 423x120x207mm, bright chrome-plated brass, Medicrom Series	36
AC0961C	Towel rail 390xØ53 mm, bright chrome-plated brass, Medicrom Series	37
AC0962C	Rectangular soap dish 175x107 mm, bright chrome-plated brass, Medicrom Series	37
AC0963C	Rectangular soap dish 264x107 mm, bright chrome-plated brass, Medicrom Series	37
AC0964C	Triangular soap basket 227x145x28 mm, bright chrome-plated brass, Medicrom Series	37
AC0966C	Robe hook Ø53x62 mm, bright chrome-plated brass, Medicrom Series	37
AC0967C	Toilet roll holder with cover 121x101x33 mm, bright chrome-plated brass, Medicrom Series	37
AC0970C	Spare toilet roll holder 50x115x186 mm, bright chrome-plated brass, Medicrom Series	37
AC0978C	Towel rail Ø200 mm, bright chrome-plated brass, Medicrom Series	36
AC0979C	Towel rail Ø170 mm, bright chrome-plated brass, Medicrom Series	36
AI0010C	Single robe hook 40x34 mm, bright AISI 304 stainless steel, Medinox series	34
AI0010CS	Single robe hook 40x34 mm, satin finish AISI 304 stainless steel, Medinox series	34
AI0020CS	Towel rail 535x66 mm, satin finish AISI 304 stainless steel, Medinox series	33
AI0030C	Double towel rail 535x120 mm, bright AISI 304 stainless steel, Medinox series	33
AI0030CS	Double towel rail 535x120 mm, satin finish AISI 304 stainless steel, Medinox series	33
AI0033B	Single robe hook 52x41 mm, black AISI 304 stainless steel, Medisteele series	35
AI0033C	Single robe hook 52x41 mm, bright AISI 304 stainless steel, Medisteele series	35
AI0033CS	Single robe hook 52x41 mm, satin finish AISI 304 stainless steel, Medisteele series	35
AI0036B	Double robe hook 100x48x52 mm, black AISI 304 stainless steel, Medisteele series	35
AI0036C	Double robe hook 100x48x52 mm, bright AISI 304 stainless steel, Medisteele series	35
AI0036CS	Double robe hook 100x48x52 mm, satin finish AISI 304 stainless steel, Medisteele series	35

CODE	DESCRIPTION	PAGE
AI0040C	Towel shelf with bar 535x120 mm, bright AISI 304 stainless steel, Medinox series	33
AI0040CS	Towel shelf with bar 535x120 mm, satin finish AISI 304 stainless steel, Medinox series	33
AI0050C	Soap dish 143x120 mm, bright AISI 304 stainless steel, Medinox series	34
AI0050CS	Soap dish 143x120 mm, satin finish AISI 304 stainless steel, Medinox series	34
AI0060C	Bathroom shelf 535x120 mm, bright AISI 304 stainless steel Medinox series	34
AI0060CS	Bathroom shelf 535x120 mm, satin finish AISI 304 stainless steel Medinox series	34
AI0070C	Individual toilet roll holder without cover 140x65 mm, bright AISI 304 stainless steel, Medinox series	34
AI0070CS	Individual toilet roll holder without cover 140x65 mm, satin finish AISI 304 stainless steel, Medinox series	34
AI0080C	Toilet roll holder with cover 140x65 mm, bright AISI 304 stainless steel, Medinox series	34
AI0080CS	Toilet roll holder with cover 140x65 mm, satin finish AISI 304 stainless steel, Medinox series	34
AI0090C	Rectangular towel rail 205x65x135 mm, bright AISI 304 stainless steel, Medinox series	33
AI0090CS	Rectangular towel rail 205x65x135 mm, satin finish AISI 304 stainless steel, Medinox series	33
AI0100C	Spare vertical toilet roll holder 155x65x66 mm, bright AISI 304 stainless steel, Medinox series	34
AI0100CS	Spare vertical toilet roll holder 155x65x66 mm, satin finish AISI 304 stainless steel, Medinox series	34
AI0110C	Circular towel rail Ø 165x65 mm, bright AISI 304 stainless steel, Medinox series	35
AI0110CS	Circular towel rail Ø 165x65 mm, satin finish AISI 304 stainless steel, Medinox series	33
AI0113B	Toilet roll holder without cover 193x97 mm, black AISI 304 stainless steel, Medisteele series	35
AI0113C	Toilet roll holder without cover 193x97 mm, bright AISI 304 stainless steel, Medisteele series	35
AI0113CS	Toilet roll holder without cover 193x97 mm, satin finish AISI 304 stainless steel, Medisteele series	35
AI0115B	Trapezoidal ring towel rail 132x60x130 mm, black AISI 304 stainless steel, Medisteele series	34
AI0115C	Trapezoidal ring towel rail 132x60x130 mm, bright AISI 304 stainless steel, Medisteele series	34
AI0115CS	Trapezoidal ring towel rail 132x60x130 mm, satin finish AISI 304 stainless steel, Medisteele series	34
AI0118B	Rectangular bathroom soap dish 108x106x52 mm, black AISI 304 stainless steel, Medisteele series	35
AI0118C	Rectangular bathroom soap dish 108x106x52 mm, bright AISI 304 stainless steel, Medisteele series	35
AI0118CS	Rectangular bathroom soap dish 108x106x52 mm, satin finish AISI 304 stainless steel, Medisteele series	35
AI0129B	Toilet roll holder with cover 130x80x73 mm, black AISI 304 stainless steel, Medisteele series	35

CODE	DESCRIPTION	PAGE
AI0129C	Toilet roll holder with cover 130x80x73 mm, bright AISI 304 stainless steel, Medisteel series	35
AI0129CS	Toilet roll holder with cover 130x80x73 mm, satin finish AISI 304 stainless steel, Medisteel series	35
AI0140C	Soap basket 340x100x24 mm, bright AISI 304 stainless steel Medinox series	34
AI0140CS	Soap basket 340x100x24 mm, satin finish AISI 304 stainless steel Medinox series	34
AI0160C	Soap basket 170x100x24 mm, bright AISI 304 stainless steel Medinox series	34
AI0160CS	Soap basket 170x100x24 mm, satin finish AISI 304 stainless steel Medinox series	34
AI0170C	Magnifying mirror Ø 170, bright AISI 304 stainless steel, Medisteel series	36
AI0184B	Towel rail 495x88 mm, black AISI 304 stainless steel, Medisteel series	34
AI0184C	Towel rail 495x88 mm, bright AISI 304 stainless steel, Medisteel series	34
AI0184CS	Towel rail 495x88 mm, satin finish AISI 304 stainless steel, Medisteel series	34
AI0310B	Toilet roll holder with cover 161x95x161 mm, black AISI 304 stainless steel, Medisteel series	35
AI0310C	Toilet roll holder with cover 161x95x161 mm, bright AISI 304 stainless steel, Medisteel series	35
AI0310CS	Toilet roll holder with cover 161x95x161 mm, satin finish AISI 304 stainless steel, Medisteel series	35
AI0320B	Double toilet roll holder with cover 320x50x160 mm, black AISI 304 stainless steel, Medisteel series	35
AI0320C	Double toilet roll holder with cover 320x50x160 mm, bright AISI 304 stainless steel, Medisteel series	35
AI0320CS	Double toilet roll holder with cover 320x50x160 mm, satin finish AISI 304 stainless steel, Medisteel series	35
AI0710C	Towel shelf with bar 495x208 mm, bright AISI 304 stainless steel, Medisteel series	34
AI0710CS	Towel shelf with bar 495x208 mm, satin finish AISI 304 stainless steel, Medisteel series	34
AI0720B	Rectangular bathroom shelf 525x161 mm black AISI 304 stainless steel, Medisteel series	35
AI0720C	Rectangular bathroom shelf 525x161 mm bright AISI 304 stainless steel, Medisteel series	35
AI0720CS	Rectangular bathroom shelf 525x161 mm satin finish AISI 304 stainless steel, Medisteel series	35
AI0910C	Retractable clothes line Ø 91, bright AISI 304 stainless steel, Medisteel series	36
AI0920C	Sanitary bag dispenser 91x24x136 mm, bright AISI 304 stainless steel	26
AI0920CS	Sanitary bag dispenser 91x24x136 mm, satin finish AISI 304 stainless steel	26
AI0968C	Spare toilet roll holder 66x116x208 mm, bright AISI 304 stainless steel, Medisteel series	35

CODE	DESCRIPTION	PAGE
AI0968CS	Spare toilet roll holder 66x116x208 mm, satin finish AISI 304 stainless steel, Medisteel series	35
AI0985B	Facial tissue dispenser 240x54x126 mm, black AISI 304 stainless steel, Medisteel series	35
AI0985C	Facial tissue dispenser 240x54x126 mm, bright AISI 304 stainless steel, Medisteel series	35
AI0985CS	Facial tissue dispenser 240x54x126 mm, satin finish AISI 304 stainless steel, Medisteel series	35
AI1311B	Double towel rail 600x115 mm, black AISI 304 stainless steel, Aura series	32
AI1311C	Double towel rail 600x115 mm, bright AISI 304 stainless steel, Aura series	32
AI1311CS	Double towel rail 600x115 mm, satin finish AISI 304 stainless steel, Aura series	32
AI1313B	Single towel rail 600x65, black AISI 304 stainless steel, Aura series	32
AI1313C	Single towel rail 600x65, bright AISI 304 stainless steel, Aura series	32
AI1313CS	Single towel rail 600x65, satin finish AISI 304 stainless steel, Aura series	32
AI1318B	Single bathroom robe hook 55x55, black AISI 304 stainless steel, Aura series	32
AI1318C	Single bathroom robe hook 55x55, bright AISI 304 stainless steel, Aura series	32
AI1318CS	Single bathroom robe hook 55x55, satin finish AISI 304 stainless steel, Aura series	32
AI1321B	Toilet paper holder 238x65 mm, black AISI 304 stainless steel, Aura series	32
AI1321C	Toilet paper holder 238x65 mm, bright AISI 304 stainless steel, Aura series	32
AI1321CS	Toilet paper holder 238x65 mm, satin finish AISI 304 stainless steel, Aura series	32
AI1323B	Towel shelf with bar 600x215x150 mm, black AISI 304 stainless steel, Aura series	32
AI1323C	Towel shelf with bar 600x215x150 mm, bright AISI 304 stainless steel, Aura series	32
AI1323CS	Towel shelf with bar 600x215x150 mm, satin finish AISI 304 stainless steel, Aura series	32
AI1411B	Double towel rail 600x120 mm, black AISI 304 stainless steel, Harmonia series	32
AI1411C	Double towel rail 600x120 mm, bright AISI 304 stainless steel, Harmonia series	32
AI1411CS	Double towel rail 600x120 mm, satin finish AISI 304 stainless steel, Harmonia series	32
AI1413B	Single towel rail 600x70 mm, black AISI 304 stainless steel, Harmonia series	33
AI1413C	Single towel rail 600x70 mm, bright AISI 304 stainless steel, Harmonia series	33
AI1413CS	Single towel rail 600x70 mm, satin finish AISI 304 stainless steel, Harmonia series	33

Guide to bathroom equipment and technical mobility aids for public facilities

CODE	DESCRIPTION	PAGE
AI1418B	Single bathroom robe hook 30x60x67 mm, black AISI 304 stainless steel, Harmonia series	33
AI1418C	Single bathroom robe hook 30x60x67 mm, bright AISI 304 stainless steel, Harmonia series	33
AI1418CS	Single bathroom robe hook 30x60x67 mm, satin finish AISI 304 stainless steel, Harmonia series	33
AI1421B	Toilet paper holder 196x70 mm, black AISI 304 stainless steel, Harmonia series	33
AI1421C	Toilet paper holder 196x70 mm, bright AISI 304 stainless steel, Harmonia series	33
AI1421CS	Toilet paper holder 196x70 mm, satin finish AISI 304 stainless steel, Harmonia series	33
AI1423B	Towel shelf with bar 600x215 mm, black AISI 304 stainless steel, Harmonia series	32
AI1423C	Towel shelf with bar 600x215 mm, bright AISI 304 stainless steel, Harmonia series	32
AI1423CS	Towel shelf with bar 600x215 mm, satin finish AISI 304 stainless steel, Harmonia series	32
AI2003B	Toilet paper holder with shelf 160x103 mm, black AISI 304 stainless steel, Aura series	32
AI2003C	Toilet paper holder with shelf 160x103 mm, bright AISI 304 stainless steel, Aura series	32
AI2003CS	Toilet paper holder with shelf 160x103 mm, satin finish AISI 304 stainless steel, Aura series	32
AI2004B	Double toilet paper holder 260x103 mm, black AISI 304 stainless steel, Aura series	32
AI2004C	Double toilet paper holder 260x103 mm, bright AISI 304 stainless steel, Aura series	32
AI2004CS	Double toilet paper holder 260x103 mm, satin finish AISI 304 stainless steel, Aura series	32
AI2005B	Toilet paper holder with shelf 160x102 mm, black AISI 304 stainless steel, Harmonia series	33
AI2005C	Toilet paper holder 160x102 mm, bright AISI 304 stainless steel, Harmonia series	33
AI2005CS	Toilet paper holder with shelf 160x102 mm, satin finish AISI 304 stainless steel, Harmonia series	33
AI2006B	Double toilet paper holder with shelf 270x103 mm, black AISI 304 stainless steel, Harmonia series	33
AI2006C	Double toilet paper holder with shelf 270x103 mm, bright AISI 304 stainless steel, Harmonia series	33
AI2006CS	Double toilet paper holder with shelf 270x103 mm, satin finish AISI 304 stainless steel, Harmonia series	33
AI2318B	Double bathroom robe hook 90x55x41 mm, black AISI 304 stainless steel, Aura series	32
AI2318C	Double bathroom robe hook 90x55x41 mm, bright AISI 304 stainless steel, Aura series	32
AI2318CS	Double bathroom robe hook 90x55x41 mm, satin finish AISI 304 stainless steel, Aura series	32
AI2418B	Double bathroom robe hook 90x60x40 mm, black AISI 304 stainless steel, Harmonia series	33

CODE	DESCRIPTION	PAGE
AI2418C	Double bathroom robe hook 90x60x40 mm, bright AISI 304 stainless steel, Harmonia series	33
AI2418CS	Double bathroom robe hook 90x60x40 mm, satin finish AISI 304 stainless steel, Harmonia series	33
AIE310C	Recessed toilet roll holder with cover 160x50x160 mm, bright AISI 304 stainless steel, Medisteel series	35
AIE310CS	Recessed toilet roll holder with cover 160x50x160 mm, satin finish AISI 304 stainless steel, Medisteel series	35
AIE320C	Recessed toilet roll holder with cover 320x50x160, bright AISI 304 stainless steel, Medisteel series	35
AIE320CS	Recessed toilet roll holder with cover 320x50x160 mm, satin finish AISI 304 stainless steel, Medisteel series	35
AM0100	Drop-down shower seat with wall anchor 430x445 mm, AISI 304 stainless steel / phenolic slats	42
AM0201C	Drop-down shower seat 450x410 mm, bright AISI 304 stainless steel	42
AM0201CS	Drop-down shower seat 450x410 mm, satin finish AISI 304 stainless steel	42
AM0251C	Drop-down shower seat with floor anchor 450x410 mm, bright AISI 304 stainless steel	42
AM0251CS	Drop-down shower seat with floor anchor 450x410 mm, satin finish AISI 304 stainless steel	42
AM0500	Drop-down reversible shower seat with wall anchor 840x534 mm, AISI 304 stainless steel / phenolic slats	42
BA0130C	Angled bar 130°, bright AISI 304 stainless steel, Medinox series	42
BA0130CS	Angled bar 130°, satin finish AISI 304 stainless steel, Medinox series	42
BA2130	Right angled bar 130°, white epoxy AISI 201 stainless steel, Mediepxi series	39
BA2130B	Angled bar 130°, black epoxy AISI 201 stainless steel, Mediepxi series	39
BAD090C	Right angled bar 90°, bright AISI 304 stainless steel, Medinox series	40
BAD090CS	Right angled bar 90°, satin finish AISI 304 stainless steel, Medinox series	40
BAI090C	Left angled bar 90°, bright AISI 304 stainless steel, Medinox series	40
BAI090CS	Left angled bar 90°, satin finish AISI 304 stainless steel, Medinox series	40
BD0700C	Angled bar, 2 walls, 3 anchor points, bright AISI 304 stainless steel, Medinox series	42
BD0700CS	Angled bar, 2 walls, 3 anchor points, satin finish AISI 304 stainless steel, Medinox series	42
BD2700	Angled bar, 2 walls, 3 anchor points, white epoxy AISI 201 stainless steel, Mediepxi series	39
BD2700B	Angled bar, 2 walls, 3 anchor points, black AISI 201 stainless steel, Mediepxi series	39
BFD600C	Right wall bar, 3 anchor points, bright AISI 304 stainless steel, Medinox series	41
BFD600CS	Right wall bar, 3 anchor points, satin finish AISI 304 stainless steel, Medinox series	42

CODE	DESCRIPTION	PAGE
BFI600C	Left wall bar, 3 anchor points, bright AISI 304 stainless steel, Medinox series	41
BFI600CS	Left wall bar, 3 anchor points, satin finish AISI 304 stainless steel, Medinox series	41
BG0089CS	Horizontal drop-down bar with fixed column, satin finish AISI 304 stainless steel, Medinox series	41
BG0800C	Vertical drop-down bar 738 mm, bright AISI 304 stainless steel Medinox series	40
BG0800CS	Vertical drop-down bar 738 mm, satin finish AISI 304 stainless steel Medinox series	40
BG0850CS	Vertical drop-down bar 852 mm, satin finish AISI 304 stainless steel Medinox series	40
BG0900CS	Vertical drop-down bar, 3 positions with brake 738 mm, satin finish AISI 304 stainless steel, Medinox series	40
BG2800	Vertical drop-down bar 738 mm, white epoxy AISI 201 stainless steel, Mediepxi series	39
BG2800B	Vertical drop-down bar 738 mm, black epoxy AISI 201 stainless steel, Mediepxi series	39
BGA0820C	Vertical drop-down bar with floor anchor, bright AISI 304 stainless steel, Medinox series	41
BGA0820CS	Vertical drop-down bar with floor anchor, satin finish AISI 304 stainless steel, Medinox series	41
BGC2710	Vertical drop-down bar 722 mm with fixed column, white epoxy AISI 201 stainless steel, Mediepxi series	39
BGC2710B	Vertical drop-down bar 722 mm with fixed column, black epoxy AISI 201 stainless steel, Mediepxi series	39
BGC710C	Vertical drop-down bar 722 mm with fixed column, bright AISI 304 stainless steel, Medinox series	40
BGC710CS	Vertical drop-down bar 722 mm with fixed column, satin finish AISI 304 stainless steel, Medinox series	40
BR0300C	Straight bar 387 mm, bright AISI 304 stainless steel, Medinox series	40
BR0300CS	Straight bar 387 mm, satin finish AISI 304 stainless steel, Medinox series	40
BR0400C	Straight bar 537 mm, bright AISI 304 stainless steel, Medinox series	40
BR0400CS	Straight bar 537 mm, satin finish AISI 304 stainless steel, Medinox series	40
BR0600C	Straight bar 692 mm, bright AISI 304 stainless steel, Medinox series	40
BR0600CS	Straight bar 692 mm, satin finish AISI 304 stainless steel, Medinox series	40
BR0750C	Straight bar 842 mm, bright AISI 304 stainless steel, Medinox series	40
BR0750CS	Straight bar 842 mm, satin finish AISI 304 stainless steel, Medinox series	40
BR0900C	Straight bar 997 mm, bright AISI 304 stainless steel, Medinox series	40
BR0900CS	Straight bar 997 mm, satin finish AISI 304 stainless steel, Medinox series	40

CODE	DESCRIPTION	PAGE
BR1200C	Straight bar 1200 mm, bright AISI 304 stainless steel, Medinox series	40
BR1200CS	Straight bar 1200 mm, satin finish AISI 304 stainless steel, Medinox series	40
BR2300	Straight bar 390 mm, white epoxy AISI 201 stainless steel, Mediepxi series	39
BR2300B	Straight bar 390 mm, black epoxy AISI 201 stainless steel, Mediepxi series	39
BR2400	Straight bar 540 mm, white epoxy AISI 201 stainless steel, Mediepxi series	39
BR2400B	Straight bar 540 mm, black epoxy AISI 201 stainless steel, Mediepxi series	39
BR2600	Straight bar 695 mm, white epoxy AISI 201 stainless steel, Mediepxi series	39
BR2600B	Straight bar 695 mm, black epoxy AISI 201 stainless steel, Mediepxi series	39
BS0010C	Recessed floor-wall bar, bright AISI 304 stainless steel, Medinox series	41
BS0010CS	Recessed floor-wall bar, satin finish AISI 304 stainless steel, Medinox series	41
BSD020C	Wall/floor bar, 3 anchor points, bright AISI 304 stainless steel, Medinox series	41
BSD020CS	Wall/floor bar, 3 anchor points, satin finish AISI 304 stainless steel, Medinox series	41
BSI020C	Wall/floor bar, 3 anchor points, bright AISI 304 stainless steel, Medinox series	41
BSI020CS	Wall/floor bar, 3 anchor points, satin finish AISI 304 stainless steel, Medinox series	41
BTD090CS	Angled bar, 2 walls, 3 anchor points, satin finish AISI 304 stainless steel, Medinox series	42
BTI090CS	Angled bar, 2 walls, 3 anchor points, satin finish AISI 304 stainless steel, Medinox series	42
CN0020	Babymedi sanitary liner refill	44
CP0016H	Babymedi horizontal changing station, white polypropylene	44
CP0016HCS	Babymedi horizontal changing station, polypropylene / satin finish AISI 304 stainless steel	44
CP0016HCSB	Babymedi horizontal changing station, polypropylene with black AISI 304 stainless steel	44
CP0016HCSB-I	Babymedi horizontal changing station with ioniser, polypropylene, black AISI 304 stainless steel	44
CP0016HCS-I	Babymedi horizontal changing station with ioniser, polypropylene, satin finish AISI 304 stainless steel	44
CP0016H-I	Babymedi horizontal changing station with ioniser, white polypropylene	44
CP0016V	Babymedi vertical changing station, white polypropylene	44
CP0016VCS	Babymedi vertical changing station, polypropylene / satin finish AISI 304 stainless steel	44
CP0016VCSB	Babymedi vertical changing station, polypropylene / black AISI 304 stainless steel	44

Guide to bathroom equipment and technical mobility aids for public facilities

CODE	DESCRIPTION	PAGE
CP0016VCSB-I	Babymedi vertical changing station with ioniser, polypropylene, black AISI 304 stainless steel	44
CP0016VCS-I	Babymedi vertical changing station with ioniser, polypropylene, satin finish AISI 304 stainless steel	44
CP0016V-I	Babymedi vertical changing station with ioniser, white polypropylene	44
DBH100	Sanitary bag dispenser, 50 units, white epoxy steel.	26
DBH100C	Sanitary bag dispenser, 50 units, bright AISI 304 stainless steel	26
DBH100CS	Sanitary bag dispenser, 50 units, satin finish AISI 304 stainless steel	26
DCA100CS	Toilet seat cover dispenser for 250 units, satin finish AISI 304 stainless steel.	26
DJ0010F	Liquid soap dispenser, 1.1 L white / smoked ABS	22
DJ0020F	Liquid soap dispenser, 1.1 L black/smoked ABS	22
DJ0031	Liquid soap dispenser, 1.5 L, white epoxy AISI 304 stainless steel	21
DJ0031B	Liquid soap dispenser, 1.5 L, matte black epoxy AISI 304 stainless steel	21
DJ0031C	Liquid soap dispenser 1.5. L, bright AISI 304 stainless steel	21
DJ0031CS	Liquid soap dispenser 1.5. L, satin finish AISI 304 stainless steel	21
DJ0037A	Automatic liquid soap dispenser, 1 L, white epoxy AISI 304 stainless steel	20
DJ0037AB	Automatic liquid soap dispenser, 1 L, matte black epoxy AISI 304 stainless steel	20
DJ0037AC	Automatic liquid soap dispenser 1 L, bright AISI 304 stainless steel	20
DJ0037ACS	Automatic liquid soap dispenser 1 L, satin finish AISI 304 stainless steel	20
DJ003AC	Liquid soap dispenser with sensor, bright chrome-plated brass pipe tap	17
DJ003AB New	Liquid soap dispenser with sensor, black brass pipe tap	17
DJ0050A	Automatic liquid soap dispenser, 1.2 L white ABS	21
DJ0050ACS New	Automatic liquid soap dispenser 1.2 L, satin finish AISI 304 stainless steel	21
DJ0090C	Wall-mounted liquid soap dispenser 0.3 L, bright chrome-plated brass.	22
DJ0090CS	Wall-mounted liquid soap dispenser 0.3 L, satin chrome-plated brass	22
DJ0110C	Liquid soap dispenser 0.35 L, bright AISI 304 stainless steel	22
DJ0111C	Liquid soap dispenser 1.1. L, bright AISI 304 stainless steel	22
DJ0111CS	Liquid soap dispenser 1.1. L, satin finish AISI 304 stainless steel	22
DJ0112C	Liquid soap dispenser 1.1. L, bright AISI 304 stainless steel	22
DJ0112CS	Liquid soap dispenser 1.1. L, satin finish AISI 304 stainless steel	22

CODE	DESCRIPTION	PAGE
DJ0115C	Liquid soap dispenser 1.3. L, bright AISI 304 stainless steel	22
DJ0115CS	Liquid soap dispenser 1.3. L, satin finish AISI 304 stainless steel	22
DJ0120C	Recessed liquid soap dispenser on countertop, 0.52 L, stainless bright chrome-plated brass	23
DJ0121C	Recessed liquid soap dispenser on countertop, 0.52 L, bright chrome-plated brass	23
DJ0160AS	Automatic liquid soap dispenser, 0.8 L, chrome plated / black aluminium ABS	21
DJ0252AC	Automatic liquid soap dispenser, 1.6 L, bright chrome-plated brass	21
DJ0515F	Liquid soap dispenser, 1.2 L black/smoked ABS	22
DJ0523	Liquid soap dispenser, 1 L white / black ABS	22
DJ0561F	Liquid soap dispenser, 0.35 L white / smoked ABS	22
DJ0563F	Liquid soap dispenser, 1.2 L white / smoked ABS	22
DJE0010CS	Recessed liquid soap dispenser 1.4. L, satin finish AISI 304 stainless steel	23
DJF0032	Foam soap dispenser 1.5 L, white epoxy AISI 304 stainless steel	21
DJF0032B	Foam soap dispenser, 1.5 L, matte black epoxy AISI 304 stainless steel	21
DJF0032C	Foam soap dispenser, 1.5. L, bright AISI 304 stainless steel	21
DJF0032CS	Foam soap dispenser, 1.5. L, satin finish AISI 304 stainless steel	21
DJF0038A	Automatic foam soap dispenser 1 L, white epoxy AISI 304 stainless steel	20
DJF0038AB	Automatic foam soap dispenser, 1 L, matte black epoxy AISI 304 stainless steel	20
DJF0038AC	Automatic foam soap dispenser, 1 L, bright AISI 304 stainless steel	20
DJF0038ACS	Automatic foam soap dispenser, 1 L, satin finish AISI 304 stainless steel	20
DJF0038A-TRAFO	Automatic foam soap dispenser 1 L, with transformer, white epoxy AISI 304 stainless steel	20
DJFM0038A	"Behind mirror" foam soap dispenser 1 L, grey AISI 304 stainless steel	20
DJFM0038A-TRAFO	"Behind mirror" foam soap dispenser ,1 L, with transformer, grey AISI 304 stainless steel	21
DJFP035	Foam soap dispenser 1.5 L, with lever, white epoxy AISI 304 stainless steel	22
DJFP035B	Foam soap dispenser 1.5 L, with lever, matte black epoxy AISI 304 stainless steel	23
DJFP035C	Foam soap dispenser 1.5 L, with lever, bright AISI 304 stainless steel	23
DJFP035CS	Foam soap dispenser 1.5 L, with lever, satin finish AISI 304 stainless steel	23
DJM0037A	"Behind mirror" liquid soap dispenser 1 L, grey AISI 304 stainless steel	20
DJM0037A-TRAFO	"Behind mirror" liquid soap dispenser 1 L, with transformer, grey AISI 304 stainless steel	21

CODE	DESCRIPTION	PAGE
DJP0034	Liquid soap dispenser 1.5 L, with lever, white epoxy AISI 304 stainless steel	22
DJP0034B	Liquid soap dispenser 1.5 L, with lever, matte black epoxy AISI 304 stainless steel	22
DJP0034C	Liquid soap dispenser 1.5 L, with lever, bright AISI 304 stainless steel	22
DJP0034CS	Liquid soap dispenser 1.5 L, with lever, satin finish AISI 304 stainless steel	22
DJS0033	Spray soap dispenser 1.5 L, white epoxy AISI 304 stainless steel	21
DJS0033B	Spray soap dispenser 1.5 L, matte black epoxy AISI 304 stainless steel	21
DJS0033C	Spray soap dispenser 1.5 L, bright AISI 304 stainless steel	21
DJS0033CS	Spray soap dispenser 1.5 L, satin finish AISI 304 stainless steel	21
DJS0039A	Automatic spray soap dispenser 1 L, white epoxy AISI 304 stainless steel	20
DJS0039AB	Automatic spray soap dispenser 1 L, matte black epoxy AISI 304 stainless steel	20
DJS0039AB-TRAFO	Automatic spray soap dispenser 1 L, with transformer, matte black epoxy AISI 304 stainless steel	20
DJS0039AC	Automatic spray soap dispenser 1 L, bright AISI 304 stainless steel	20
DJS0039ACS	Automatic spray soap dispenser 1 L, satin finish AISI 304 stainless steel	20
DJSM0039A	"Behind mirror" automatic spray soap dispenser 1 L, grey AISI 304 stainless steel	20
DJSM0039A-TRAFO	"Behind mirror" automatic spray soap dispenser 1 L, grey AISI 304 stainless steel	21
DJSP036	Spray soap dispenser 1.5 L, with lever, white epoxy AISI 304 stainless steel	22
DJSP036B	Spray soap dispenser 1.5 L, with lever, matte black epoxy AISI 304 stainless steel	23
DJSP036C	Spray soap dispenser 1.5 L, with lever, bright AISI 304 stainless steel	23
DJSP036CS	Spray soap dispenser 1.5 L, with lever, satin finish AISI 304 stainless steel	23
DJT118	Recessed liquid soap dispenser on countertop, 1 L, bright chrome-plated brass	23
DT0208ACS	Semi-automatic paper dispenser Ø 200 mm, satin finish AISI 304 stainless steel	27
DT0303	Jumbo roll dispenser, Ø250 mm, white epoxy steel	27
DT0303C	Jumbo roll dispenser, Ø250 mm, bright-finish AISI 304 stainless steel	27
DT0303CS	Jumbo roll dispenser, Ø250 mm, satin finish AISI 304 stainless steel	27
DT0518F	Paper towel dispenser C/Z Ø 160 to Ø 240 mm, White/smoked ABS	29
DT2106	Paper towel dispenser C/Z 400 - 600, white epoxy steel	27
DT2106B	Paper towel dispenser C/Z 400 - 600, black epoxy steel	27
DT2106C	Paper towel dispenser, C/Z 400 - 600, bright AISI 304 stainless steel	27
DT2106CS	Paper towel dispenser, C/Z 600 - 400, satin finish AISI 304 stainless steel	27
DTE0020CS	Recessed paper towel dispenser, C/Z 200 - 400, satin finish AISI 304 stainless steel	27

CODE	DESCRIPTION	PAGE
DTE0030CS	Combined unit of paper towel dispenser 400-600+7.6 L recessed, satin finish AISI 304 stainless steel waste bin	31
DTE0040CS	Recessed paper towel dispenser, C/Z 600 - 800, satin finish AISI 304 stainless steel	27
DTE0050CS	Combined unit of paper towel dispenser 600-800+12.5 L recessed satin finish AISI 304 stainless steel waste bin	31
DTES0040CS	Combined unit of paper towel dispenser 300-500+24 L waste bin+Saniflow recessed satin finish AISI 304 stainless steel hand dryer	31
DTES0060CS	Combined unit of paper towel dispenser 500-600+23 L waste bin+Junior Plus recessed satin finish AISI 304 stainless steel hand dryer	31
DTH100	Toilet tissue dispenser, 400 units, white epoxy steel	26
DTH100B New	Toilet tissue dispenser, 400 units, black epoxy steel	26
DTH100C	Toilet tissue dispenser, 400 units, bright AISI 304 stainless steel	26
DTH100CS	Toilet tissue dispenser, 400 units, satin finish AISI 304 stainless steel	26
DTM2106	"Behind the mirror" paper towel dispenser, C/Z 400 - 600, satin finish AISI 304 stainless steel	27
DTP025CS	Paper towel dispenser Ø 220 mm, satin finish AISI 304 stainless steel	27
E05	Saniflow manual hand dryer, white epoxy steel	15
E05A	Saniflow automatic hand dryer, white epoxy steel	15
E05AB	Saniflow automatic hand dryer, black epoxy steel	15
E05AC	Saniflow automatic hand dryer, bright AISI 304 stainless steel	15
E05ACS	Saniflow automatic hand dryer, satin finish AISI 304 stainless steel	15
E05B	Saniflow manual hand dryer, black epoxy steel	15
E05C	Saniflow manual hand dryer, bright AISI 304 stainless steel	15
E05CS	Saniflow manual hand dryer, satin finish AISI 304 stainless steel	15
E88	Saniflow manual hand dryer, white enamelled steel	15
E88A	Saniflow automatic hand dryer, white enamelled steel	15
E88AC	Saniflow automatic hand dryer, bright chromed steel	15
E88ACS	Saniflow automatic hand dryer, satin finish steel	15
E88AO	Saniflow automatic hand dryer, gold finish steel	15
E88C	Saniflow manual hand dryer, bright chromed steel	15
E88CS	Saniflow manual hand dryer, satin finish steel	15
E88O	Saniflow manual hand dryer, gold finish steel	15
EP0300	Pivoting mirror 700x500 mm, white epoxy steel	43
EP0300B New	Pivoting mirror 700x500 mm, black epoxy steel	43

Guide to bathroom equipment and technical mobility aids for public facilities

CODE	DESCRIPTION	PAGE
EP0300CS	Pivoting mirror 700x500 mm. satin finish AISI 304 stainless steel	43
EP0350B New	Fixed mirror 700x500 mm, black epoxy steel	43
EP0350CS	Fixed mirror 700x500 mm. satin finish AISI 304 stainless steel	43
EP0400CS	Pivoting mirror 800x600 mm. satin finish AISI 304 stainless steel	43
EP0450CS	Fixed mirror 800x600 mm. satin finish AISI 304 stainless steel	43
ES0010	Toilet brush set, white epoxy steel, Medicolor series	36
ES0010B	Toilet brush set, black epoxy steel, Medicolor series	36
ES0010C	Toilet brush set, bright chrome-plated brass, Medicrom series	37
ES0965C	Toilet brush set, bright AISI 304 stainless steel, Medinox series	34
ES0965CS	Toilet brush set, satin finish AISI 304 stainless steel, Medinox series	34
ES0968C	Toilet brush set, bright AISI 304 stainless steel, Medisteel series	36
ES0968CS	Toilet brush set, satin finish AISI 304 stainless steel, Medisteel series	36
ES1002B	Toilet brush set, black finish AISI 304 stainless steel, Aura series	32
ES1002C	Toilet brush set, bright finish AISI 304 stainless steel, Aura series	32
ES1002CS	Toilet brush set, satin finish AISI 304 stainless steel, Aura series	32
ES1003B	Toilet brush set, black AISI 304 stainless steel, Harmonia series	33
ES1003C	Toilet brush set, bright AISI 304 stainless steel, Harmonia series	33
ES1003CS	Toilet brush set, satin finish AISI 304 stainless steel, Harmonia series	33
FA0015C	Cold water fountain 20 L/H bright-finish AISI 304 stainless steel	47
FA0015G	Cold water fountain 20 L/H grey plastic coated steel	47
FA0025C	Cold water fountain 30 L/H bright-finish AISI 304 stainless steel	47
FA0025UP	Cold water fountain 30 L/H grey plastic coated steel	47
FA0050C	Cold water fountain 55 L/H bright-finish AISI 304 stainless steel	47
FA0120CS	Island mains water dispenser, 800 mm high, satin finish AISI 304 stainless steel	47
FA0125CS New	Island mains water dispenser, 800 mm high, with vessel filling, satin finish AISI 304 stainless steel	47
FAM135CS New	Island mains water dispenser, 915 mm high, satin finish AISI 304 stainless steel	47
FA0220CS	Island mains water dispenser, 915 mm high, with vessel filling, satin finish AISI 304 stainless steel	47

CODE	DESCRIPTION	PAGE
FA0225CS New	Mains water dispenser, satin finish AISI 304 stainless steel	47
FAM120CS	Wall mains water dispenser, satin finish AISI 304 stainless steel	47
FAM130CS	Wall mains water dispenser, with vessel filling, satin finish AISI 304 stainless steel	47
FAP025C	Cold water fountain with pedal, 30 L/H bright-finish AISI 304 stainless steel	47
FAP035C	Cold water fountain with pedal, 30 L/H (only swan neck) bright AISI 304 stainless steel	47
FAP050C	Cold water fountain with pedal, 55 L/H bright-finish AISI 304 stainless steel	47
GA003AC	Tap with sensor, bright chrome-plated brass pipe	17
GA003AB New	Tap with sensor, black brass pipe	17
GAJ002AC	Water tap and soap dispenser with swan neck sensor, bright chrome-plated brass	17
GAJ002AB New	Water tap and soap dispenser with swan neck sensor, black brass	17
HGPT0020B	Floor-standing portable sanitising station black epoxy steel	21
HGPT0040	Floor-standing portable sanitising station white epoxy	21
HGPT0070B	Anti-drip tray holder for soap dispensers DJ0037A.../DJF0038A.../DJS0039A.../DJ0160AS/DJ0031.../DJF0032... and DJS0033...	20
KA0090	AC/DC 220V-9V TRANSFORMER current adapter	20
KT0005	Recess kit for Saniflow dryer, white epoxy steel	16
KT0005C	Recess kit for Saniflow dryer, bright steel	16
KT0005CS	Recess kit for Saniflow dryer, satin finish steel	16
KT0010	Recess kit for Mediflow dryer, white epoxy steel	16
KT0010C	Recess kit for Mediflow dryer bright AISI 304 stainless steel	16
KT0010CS	Recess kit for Mediflow dryer satin finish AISI 304 stainless steel	16
KT0016HCS	Babymedi horizontal changing station wall recess kit, satin finish AISI 304 stainless steel	44
KT0016HCSB	Babymedi horizontal changing station wall recess kit, black AISI 304 stainless steel	44
KT0016VCS	Babymedi vertical changing station wall recess kit, satin finish AISI 304 stainless steel	44
KT0016VCSB	Babymedi vertical changing station wall recess kit, black AISI 304 stainless steel	44
KT0030CS	Mounting frame, model DTE0030CS, satin finish AISI 304 stainless steel	31
KT0040CS	Mounting frame, models DTES0040CS and DTES0060CS, satin finish AISI 304 stainless steel	33
KT009	Recess kit for Machflow dryer, white epoxy steel	14
KT009CS	Recess kit for Machflow dryer satin finish AISI 304 stainless steel	14

CODE	DESCRIPTION	PAGE
KTP009	Plug-in kit for black Machflow dryer	14
KTR100	Overflow kit, bright AISI 304 stainless steel	45
M02A	Smart Mediflow hand dryer, white epoxy steel	15
M02AB	Smart Mediflow hand dryer, black epoxy steel	15
M02AC	Smart Mediflow hand dryer, bright AISI 304 stainless steel	16
M02ACS	Smart Mediflow hand dryer, satin finish AISI 304 stainless steel	16
M03A	Mediflow hand dryer, white epoxy steel	16
M03AB	Mediflow hand dryer, black epoxy steel	16
M03AC	Mediflow hand dryer, bright AISI 304 stainless steel	16
M03ACS	Mediflow hand dryer, satin finish AISI 304 stainless steel	16
M04A	Smartflow hand dryer, white ABS	16
M04AB	Smartflow hand dryer, black epoxy ABS	16
M04AC	Smartflow hand dryer, bright ABS	16
M04ACS	Smartflow hand dryer, satin finish ABS	16
M092A	Hand dryer with swan neck tap sensor, bright chrome-plated brass	17
M092AB New	Hand dryer with swan neck tap sensor, black brass	17
M093A	Hand dryer with sensor, bright AISI 304 stainless steel tap pipe	17
M093AB New	Hand dryer with sensor, black AISI 304 stainless steel tap pipe	17
M09AB-FIL	Machflow hand dryer with HEPA filtration system, black epoxy steel	14
M09AB-I	Machflow hand dryer with HEPA filtration system and ioniser, black epoxy steel	14
M09AC-FIL	Machflow hand dryer with HEPA filtration system, bright AISI 304 stainless steel	14
M09AC-I	Machflow hand dryer with HEPA filtration system and ioniser, bright AISI 304 stainless steel	14
M09ACS-FIL	Machflow hand dryer with HEPA filtration system, satin finish AISI 304 stainless steel	14
M09ACS-I	Machflow hand dryer with HEPA filtration system and ioniser, satin finish AISI 304 stainless steel	14
M09A-FIL	Machflow hand dryer with HEPA filtration system, white epoxy steel	14
M09A-I	Machflow hand dryer with HEPA filtration system and ioniser, white epoxy steel	14
M14A	Dualflow Plus hand dryer with HEPA filtration system, white ABS	13
M14AB	Dualflow Plus hand dryer with HEPA filtration system, black ABS	13
M14AB-DES	Dualflow Plus hand dryer with HEPA filtration system and drain, black ABS	13

CODE	DESCRIPTION	PAGE
M14AB-DES-I	Dualflow Plus hand dryer with HEPA filtration system, drain and ioniser, black ABS	13
M14AB-I	Dualflow Plus hand dryer with HEPA filtration system and ioniser, black ABS	13
M14ACS	Dualflow Plus hand dryer with HEPA filtration system, satin finish ABS	13
M14ACS-DES	Dualflow Plus hand dryer with HEPA filtration system and drain, satin finish ABS	13
M14ACS-DES-I	Dualflow Plus hand dryer with HEPA filtration system, drain and ioniser, satin finish ABS	13
M14ACS-I	Dualflow Plus hand dryer with HEPA filtration system and ioniser, satin finish ABS	13
M14A-DES	Dualflow Plus hand dryer with HEPA filtration system and drain, white ABS	13
M14A-DES-I	Dualflow Plus hand dryer with HEPA filtration system, drain and ioniser, white ABS	13
M14A-I	Dualflow Plus hand dryer with HEPA filtration system and ioniser, white ABS	13
M17A	Speedflow hand dryer with HEPA filtration system, white epoxy steel	15
M17AB	Speedflow hand dryer with HEPA filtration system, black epoxy steel	15
M17AB-I	Speedflow hand dryer with HEPA filtration system and ioniser, black epoxy steel	15
M17AC	Speedflow hand dryer with HEPA filtration system, bright AISI 304 stainless steel	15
M17AC-I	Speedflow hand dryer with HEPA filtration system and ioniser, bright AISI 304 stainless steel	15
M17ACS	Speedflow hand dryer with HEPA filtration system, satin finish AISI 304 stainless steel	15
M17ACS-I	Speedflow hand dryer with HEPA filtration system and ioniser, satin finish AISI 304 stainless steel	15
M17A-I	Speedflow hand dryer with HEPA filtration system and ioniser, white epoxy steel	15
M19AB-FIL	Machflow hand dryer (brushless motor) with HEPA filtration system, black epoxy steel	14
M19AB-I	Machflow hand dryer (brushless motor) with HEPA filtration system and ioniser, black epoxy steel	14
M19AC-FIL	Machflow hand dryer (brushless motor) with HEPA filtration system, bright AISI 304 stainless steel	14
M19AC-I	Machflow hand dryer (brushless motor) with HEPA filtration system and ioniser, bright AISI 304 stainless steel	14
M19ACS-I	Machflow hand dryer (brushless motor) with HEPA filtration system and ioniser, satin finish AISI 304 stainless steel	14
M19ACS-FIL	Machflow hand dryer (brushless motor) with HEPA filtration system and ioniser, satin finish AISI 304 stainless steel	14
M19A-FIL	Machflow hand dryer (brushless motor) with HEPA filtration system, white epoxy steel	14
M19A-I	Machflow hand dryer (brushless motor) with HEPA filtration system and ioniser, white epoxy steel	14

Guide to bathroom equipment and technical mobility aids for public facilities

CODE	DESCRIPTION	PAGE
M23A New	U-Flow hand dryer with HEPA filtration system, drain, ioniser and plug-in system, white ABS	13
M23AB New	U-Flow hand dryer with HEPA filtration system, drain, ioniser and plug-in system, black ABS	13
M23ABT New	"All black" U-Flow hand dryer with HEPA filtration system, drain, ioniser and plug-in system, black ABS	13
M23ACS New	U-Flow hand dryer with HEPA filtration system, drain, ioniser and plug-in system, satin finish ABS	13
M24A	Dualflow Plus hand dryer (brushless motor) with HEPA filtration system, white ABS	13
M24AB	Dualflow Plus hand dryer (brushless motor) with HEPA filtration system, black ABS	13
M24AB-DES	Dualflow Plus hand dryer (brushless motor) with HEPA filtration system and drain, black ABS	13
M24AB-DES-I	Dualflow Plus hand dryer (brushless motor) with HEPA filtration system, drain and ioniser, black ABS	13
M24AB-I	Dualflow Plus hand dryer (brushless motor) with HEPA filtration system and ioniser, black ABS	13
M24ACS	Dualflow Plus hand dryer (brushless motor) with HEPA filtration system, satin finish ABS	13
M24ACS-DES	Dualflow Plus hand dryer (brushless motor) with HEPA filtration system and drain, satin finish ABS	13
M24ACS-DES-I	Dualflow Plus hand dryer (brushless motor) with HEPA filtration system, drain and ioniser, satin finish ABS	13
M24ACS-I	Dualflow Plus hand dryer (brushless motor) with HEPA filtration system and ioniser, satin finish ABS	13
M24A-DES	Dualflow Plus hand dryer (brushless motor) with HEPA filtration system and drain, white ABS	13
M24A-DES-I	Dualflow Plus hand dryer (brushless motor) with HEPA filtration system, drain and ioniser, white ABS	13
M24A-I	Dualflow Plus hand dryer (brushless motor) with HEPA filtration system and ioniser, white ABS	13
M88APLUS	Automatic JuniorPlus hand dryer, white ABS	16
M88PLUS	Manual JuniorPlus hand dryer, white ABS	16
M99A	Óptima hand dryer, white epoxy steel	16
M99AB	Óptima hand dryer, black epoxy steel	16
M99AC	Óptima hand dryer, bright AISI 304 stainless steel	16
M99ACS	Óptima hand dryer, satin finish AISI 304 stainless steel	16
PP0003C	Recessed waste disposal channel, satin finish AISI 304 stainless steel	29

CODE	DESCRIPTION	PAGE
PP0006	Sanitary bin, 6 L, white epoxy steel	29
PP0006B	Sanitary bin, 6 L, black epoxy steel	29
PP0006C	Sanitary bin, 6 L, bright AISI 304 stainless steel	30
PP0006CS	Sanitary bin, 6 L, satin finish AISI 304 stainless steel	30
PP0065	Waste bin, 65 L, with self-closing lid white epoxy steel	28
PP0065C	Waste bin, 65 L, with self-closing lid bright AISI 304 stainless steel	28
PP0065CS	Waste bin, 65 L, with self-closing lid satin finish AISI 304 stainless steel	28
PP0080	Waste bin, 80 L, with self-closing lid white epoxy steel	28
PP0080C	Waste bin, 80 L, with self-closing lid bright AISI 304 stainless steel	28
PP0080CS	Waste bin, 80 L, with self-closing lid satin finish AISI 304 stainless steel	28
PP0104CS	Wall ashtray, satin finish AISI 304 stainless steel, Medisteel series	36
PP0162C	Ashtray, bright AISI 304 stainless steel, Medisteel series	26
PP0162CS	Ashtray, satin finish AISI 304 stainless steel, Medisteel series	26
PP1065	Open waste bin, 65 L, white epoxy steel	28
PP1065C	Open waste bin, 65 L, bright AISI 304 stainless steel	28
PP1065CS	Open waste bin, 65 L, satin finish AISI 304 stainless steel	28
PP1080	Open waste bin, 80 L, white epoxy steel	28
PP1080C	Open waste bin, 80 L, bright AISI 304 stainless steel	28
PP1080CS	Open waste bin, 80 L, satin finish AISI 304 stainless steel	28
PP1206	Square pedal bin, 6 L, white steel	30
PP1206C	Square pedal bin, 6 L, bright AISI 410 stainless steel	30
PP1206CS	Square pedal bin, 6 L, satin finish AISI 410 stainless steel	30
PP1214	Square pedal bin, 14.5 L, white steel	30
PP1214C	Square pedal bin, 14.5 L, bright AISI 410 stainless steel	30
PP1214CS	Square pedal bin, 14.5 L, satin finish AISI 410 stainless steel	30
PP1303	Circular pedal bin, 3 L, white steel	30
PP1303C	Circular pedal bin, 3 L, bright AISI 410 stainless steel	30
PP1303CS	Circular pedal bin, 3 L, satin finish AISI 410 stainless steel	30
PP1305	Circular pedal bin, 5 L, white steel	30
PP1305B New	Circular pedal bin, 5 L, black steel	30
PP1305C	Circular pedal bin, 5 L, bright AISI 410 stainless steel	30
PP1305CS	Circular pedal bin, 5 L, satin finish AISI 410 stainless steel	30

CODE	DESCRIPTION	PAGE
PP1312	Circular pedal bin, 12 L, white steel	30
PP1312C	Circular pedal bin, 12 L, bright AISI 410 stainless steel	30
PP1312CS	Circular pedal bin, 12 L, satin finish AISI 410 stainless steel	30
PP1321	Circular pedal bin, 20 L, white steel	30
PP1321C	Circular pedal bin, 20 L, bright AISI 410 stainless steel	30
PP1321CS	Circular pedal bin, 20 L, satin finish AISI 410 stainless steel	30
PP2018B	Open waste bin, 18 L, black epoxy AISI 430 stainless steel	29
PP2018CS	Open waste bin, 18 L, satin finish AISI 430 stainless steel	29
PP2053B	Open waste bin, 50 L, black epoxy AISI 430 stainless steel	29
PP2053CS	Open waste bin, 50 L, satin finish AISI 430 stainless steel	29
PPA2212 New	Open waste bin, 12 L, white epoxy steel	29
PPA2212B New	Open waste bin, 12 L, black epoxy steel	29
PPA2212CS New	Open waste bin, 12 L, satin finish AISI 304 stainless steel	29
PPA2279	Open waste bin, 25 L, white epoxy steel	28
PPA2279B	Open waste bin, 25 L, black epoxy steel	28
PPA2279C	Open waste bin, 25 L, bright AISI 304 stainless steel	29
PPA2279CS	Open waste bin, 25 L, satin finish AISI 304 stainless steel	29
PPA4010 New	Sanitary bin, 10 L, with double lid, white epoxy steel	30
PPA4010B New	Sanitary bin, 10 L, with double lid, black epoxy steel	30
PPA4010CS New	Sanitary bin, 10 L, with double lid, satin finish AISI 304 stainless steel	30
PPA4279	Open waste bin, 40 L, white epoxy steel	29
PPA4279B	Open waste bin, 40 L, black epoxy steel	29
PPA4279C	Open waste bin, 40 L, bright AISI 304 stainless steel	29
PPA4279CS	Open waste bin, 40 L, satin finish AISI 304 stainless steel	28
PPE0010CS	Recessed waste bin 14.2. L, satin finish AISI 304 stainless steel	29
PPE0035CS	Recessed waste bin 5.4. L, satin finish AISI 304 stainless steel	29
PR0513	Circular toilet paper holder, Ø 230 mm white ABS	29
PR0700CS	Two-roll toilet paper holder, satin finish AISI 304 stainless steel	25
PR0781	Three-roll toilet paper holder, white epoxy steel	25
PR0781C	Three-roll toilet paper holder, bright AISI 304 stainless steel	25
PR0781CS	Three-roll toilet paper holder, satin finish AISI 304 stainless steel	25

CODE	DESCRIPTION	PAGE
PR0783	Circular toilet paper holder, max jumbo roll size Ø 230 mm white epoxy steel	24
PR0783C	Circular toilet paper holder, max jumbo roll size Ø 230 mm, bright AISI 304 stainless steel	24
PR0783CS	Circular toilet paper holder, max jumbo roll size Ø 230 mm, satin finish AISI 304 stainless steel	24
PR0784	Two-roll toilet paper holder, white epoxy steel	25
PR0784C	Two-roll toilet paper holder, bright AISI 304 stainless steel	25
PR0784CS	Two-roll toilet paper holder, satin finish AISI 304 stainless steel	25
PR0787B	Circular toilet paper holder, max jumbo roll size Ø 275 mm, black epoxy steel	24
PR0787C	Circular toilet paper holder, max jumbo roll size Ø 275 mm, bright AISI 304 stainless steel	24
PR0787CS	Circular toilet paper holder, max jumbo roll size Ø 275 mm, satin finish AISI 304 stainless steel	24
PR2783	Circular toilet paper holder, max jumbo roll size Ø 230 mm, white epoxy steel	24
PR2783B	Circular toilet paper holder, max jumbo roll size Ø 230 mm, matte black epoxy steel	24
PR2783C	Circular toilet paper holder, max jumbo roll size Ø 230 mm, bright AISI 304 stainless steel	24
PR2783CS	Circular toilet paper holder, max jumbo roll size Ø 230 mm, satin finish AISI 304 stainless steel	24
PR2784	Two-roll toilet paper holder, white epoxy steel	25
PR2784B	Two-roll toilet paper holder, matte black epoxy steel	25
PR2784C	Two-roll toilet paper holder, bright AISI 304 stainless steel	25
PR2784CS	Two-roll toilet paper holder, satin finish AISI 304 stainless steel	25
PR2787	Circular toilet paper holder, max jumbo roll size Ø 275 mm, white epoxy steel	24
PR2787B	Circular toilet paper holder, max jumbo roll size Ø 275 mm, matte black epoxy steel	24
PR2787C	Circular toilet paper holder, max jumbo roll size Ø 275 mm, bright AISI 304 stainless steel	24
PR2787CS	Circular toilet paper holder, max jumbo roll size Ø 275 mm, satin finish AISI 304 stainless steel	24
PR2789	Three-roll circular toilet paper holder, white epoxy steel	24
PR2789B	Three-roll circular toilet paper holder, matte black epoxy steel	24
PR2789C	Three-roll circular toilet paper holder, bright AISI 304 stainless steel	25
PR2789CS	Three-roll circular toilet paper holder, satin finish AISI 304 stainless steel	25
PRE700CS	Two-roll toilet paper holder for wall recess, satin finish AISI 304 stainless steel	25
RCFB001	Air freshener beads kit, 4 units, for Dualflow, U-flow, Machflow, Speedflow and Saniflow E05 dryers	14
RPR2700CS	Toilet roll holder shelf for placing objects	25
SCO004	White ABS individual-use hair dryer	18

Guide to bathroom equipment and technical mobility aids for public facilities

CODE	DESCRIPTION	PAGE
SC0009	Communal-use hair dryer white AISI 304 stainless steel	18
SC0009CS	Communal-use hair dryer, satin finish AISI 304 stainless steel	18
SC0010	White ABS individual-use hair dryer	18
SC0010CS	Black/silver ABS individual-use hair dryer	18
SC0020	White ABS individual-use hair dryer	19
SC0020CS	Black/silver ABS individual-use hair dryer	19
SC0030	Individual-use hair dryer with shaver socket, white ABS	19
SC0030CS	Individual-use hair dryer with shaver socket, black/silver ABS	19
SC0040	White ABS individual-use hair dryer	19
SC0087	White polycarbonate individual-use hair dryer	18
SC0088	Individual-use hair dryer with shaver socket, white polycarbonate	18
SC0088H	Communal-use hair dryer, white vitreous steel	18
SC0088HCS	Communal-use hair dryer, satin finish steel	18
SC1088HT	Communal-use hair dryer, white vitreous steel	18
SC1088HTCS	Communal-use hair dryer, satin finish steel	18
SN0027C	Recessed washbasin 110x265x305 mm. bright-finish AISI 304 stainless steel	45
SN0027CS	Recessed washbasin 110x265x305 mm. satin finish AISI 304 stainless steel	45
SN0031C	Recessed washbasin 130x315x355 mm. bright-finish AISI 304 stainless steel	45
SN0031CS	Recessed washbasin 130x315x355 mm. satin finish AISI 304 stainless steel	45
SN0036C	Recessed washbasin 145x355x405 mm. bright-finish AISI 304 stainless steel	45
SN0036CS	Recessed washbasin 145x355x405 mm. satin finish AISI 304 stainless steel	45
SN0120CS	Toilet with cistern in bacteriostatic satin finish 304 stainless steel	46
SN0125CS	Floor-standing toilet, satin finish AISI 304 stainless steel	46
SN0128CS	Wall-mounted toilet, satin finish stainless steel AISI 304	46
SN0200CS	Two-station washbasin, satin finish AISI 304 stainless steel	45
SN0300CS	Three-station washbasin, satin finish AISI 304 stainless steel	45
SN0800CS	Shower tray, 800x800 mm satin finish AISI 304 stainless steel	46
SNLM35CS	Wall washbasin, satin finish AISI 304 stainless steel	45
SNLM56CS	Cone-shaped wall mounted washbasin, satin finish AISI 304 stainless steel	45

CODE	DESCRIPTION	PAGE
SNLM58CS	Wall washbasin, satin finish AISI 304 stainless steel	45
SNLM62CS	Wall-mounted horseshoe washbasin, satin finish AISI 304 stainless steel	45
SNLM64CS	Corner wall-mounted washbasin, satin finish AISI 304 stainless steel	45
SNLMP60CS	Foot pedal washbasin, satin finish AISI 304 stainless steel	46
SNLMP70CS	Knee pedal washbasin, satin finish AISI 304 stainless steel	46
SNPT21CS	Squat toilet satin finish AISI 304 stainless steel	46
SNR027C	Recessed washbasin with overflow 110x265x305 mm, bright AISI 304 stainless steel	45
SNR027CS	Recessed washbasin with overflow 110x265x305 mm, satin finish AISI 304 stainless steel	45
SNR031C	Recessed washbasin with overflow 130x315x355 mm, bright AISI 304 stainless steel	45
SNR031CS	Recessed washbasin with overflow 130x315x355 mm, satin finish AISI 304 stainless steel	45
SNR036C	Recessed washbasin with overflow 145x355x405 mm, bright AISI 304 stainless steel	45
SNR036CS	Recessed washbasin with overflow 145x355x405 mm, satin finish AISI 304 stainless steel	45
SNU126CS	Vertical water inlet urinal, satin finish AISI 304 stainless steel	46
SNU128CS	Horizontal water inlet urinal, satin finish AISI 304 stainless steel	46
TP0140	Mahogany colour lacquered wooden seat and cover for toilets SN0125CS, SN0120CS and SN0128CS	46
TP0145	Black lacquered wooden seat and cover for toilets SN0125CS, SN0120CS and SN0128CS	46
UCM092A	Complete set of 2 taps, hand dryer, water tap and soap dispenser with sensor in bright chrome-plated brass. (M092A+GAJ002AC)	17
UCM092AB New	Complete set of 2 taps, hand dryer, water tap and soap dispenser with sensor in black brass. (M092AB+GAJ002AB)	17
UCM093A	Complete set of 3 taps, hand dryer, water tap and soap dispenser with sensor in bright chrome-plated brass (M093A+DJ003AC+GA003AC)	17
UCM093AB New	Complete set of 3 taps, hand dryer, water tap and soap dispenser with sensor in black brass (M093AB+DJ003AB+GA003AB)	17

01

We take care of your hands

HAND DRYERS

NEW

M23A
plug-in system with tank, connection to main wastewater outlet and ioniser.

24/7
365
Dryer in use 24 hours a day, 7 days a week

400 km/h

HEPA filtration system

MATERIAL: ABS
FINISH: white

OPTIONAL IN COLOURS

U-flow

SENSOR OPERATED

NEW

M23AB
plug-in system with tank, connection to main wastewater outlet and ioniser.

24/7
365
Dryer in use 24 hours a day, 7 days a week

400 km/h

HEPA filtration system

MATERIAL: ABS
FINISH: black

OPTIONAL IN COLOURS

U-flow

SENSOR OPERATED

NEW

M23ACS
plug-in system with tank, connection to main wastewater outlet and ioniser.

24/7
365
Dryer in use 24 hours a day, 7 days a week

400 km/h

HEPA filtration system

MATERIAL: ABS
FINISH: satin

OPTIONAL IN COLOURS

U-flow

SENSOR OPERATED

NEW

M23ABT
plug-in system with tank, connection to main wastewater outlet and ioniser. All Black

24/7
365
Dryer in use 24 hours a day, 7 days a week

400 km/h

HEPA filtration system

MATERIAL: ABS
FINISH: black

OPTIONAL IN COLOURS

U-flow

SENSOR OPERATED

M24A

M24A-I
With ioniser

M24A-DES
With connection to main wastewater outlet

M24A-DES-I
With connection to main wastewater outlet and ioniser

400 km/h

HEPA filtration system

MATERIAL: ABS
FINISH: white

BRUSHLESS MOTOR

dualflow^{plus}

SENSOR OPERATED

M24AB

M24AB-I
With ioniser

M24AB-DES
With connection to main wastewater outlet

M24AB-DES-I
With connection to main wastewater outlet and ioniser

400 km/h

HEPA filtration system

MATERIAL: ABS
FINISH: black

BRUSHLESS MOTOR

dualflow^{plus}

SENSOR OPERATED

M24ACS

M24ACS-I
With ioniser

M24ACS-DES
With connection to main wastewater outlet

M24ACS-DES-I
With connection to main wastewater outlet and ioniser

400 km/h

HEPA filtration system

MATERIAL: ABS
FINISH: satin

BRUSHLESS MOTOR

dualflow^{plus}

SENSOR OPERATED

M14A

M14A-I
With ioniser

M14A-DES
With connection to main wastewater outlet

M14A-DES-I
With connection to main wastewater outlet and ioniser

400 km/h

HEPA filtration system

MATERIAL: ABS
FINISH: white

dualflow^{plus}

SENSOR OPERATED

M14AB

M14AB-I
With ioniser

M14AB-DES
With connection to main wastewater outlet

M14AB-DES-I
With connection to main wastewater outlet and ioniser

400 km/h

HEPA filtration system

MATERIAL: ABS
FINISH: black

dualflow^{plus}

SENSOR OPERATED

M14ACS

M14ACS-I
With ioniser

M14ACS-DES
With connection to main wastewater outlet

M14ACS-DES-I
With connection to main wastewater outlet and ioniser

400 km/h

HEPA filtration system

MATERIAL: ABS
FINISH: satin

dualflow^{plus}

SENSOR OPERATED

KITDESM14A

Dualflow^{plus} main wastewater outlet connection kit

Length from 60 to 200 cm

MATERIAL: PP/EPDM
FINISH: grey

dualflow^{plus}

ACCESSORIES

Guide to bathroom equipment and technical mobility aids for public facilities



M19

M19A-FIL
With HEPA filter

M19A-I
With HEPA filter and ioniser

340 km/h

MATERIAL: steel
FINISH: white epoxy



BRUSHLESS MOTOR

machflow® plus

SENSOR OPERATED



M19AB

M19AB-FIL
With HEPA filter

M19AB-I
With HEPA filter and ioniser

340 km/h

MATERIAL: steel
FINISH: matte black epoxy



BRUSHLESS MOTOR

machflow® plus

SENSOR OPERATED



M19AC

M19AC-FIL
With HEPA filter

M19AC-I
With HEPA filter and ioniser

340 km/h

MATERIAL: AISI 304 stainless steel
FINISH: bright



BRUSHLESS MOTOR

machflow® plus

SENSOR OPERATED



METAL
finish
see p. 19

M19ACS

M19ACS-FIL
With HEPA filter

M19ACS-I
With HEPA filter and ioniser

340 km/h

MATERIAL: AISI 304 stainless steel
FINISH: satin



BRUSHLESS MOTOR

machflow® plus

SENSOR OPERATED



M09A

M09A-FIL
With HEPA filter

M09A-I
With HEPA filter and ioniser

480 km/h

MATERIAL: steel
FINISH: white epoxy



SENSOR OPERATED

machflow®



M09AB

M09AB-FIL
With HEPA filter

M09AB-I
With HEPA filter and ioniser

480 km/h

MATERIAL: steel
FINISH: matte black epoxy



SENSOR OPERATED

machflow®



M09AC

M09AC-FIL
With HEPA filter

M09AC-I
With HEPA filter and ioniser

480 km/h

MATERIAL: AISI 304 stainless steel
FINISH: bright



SENSOR OPERATED

machflow®



METAL
finish
see p. 19

M09ACS

M09ACS-FIL
With HEPA filter

M09ACS-I
With HEPA filter and ioniser

480 km/h

MATERIAL: AISI 304 stainless steel
FINISH: satin



SENSOR OPERATED

machflow®



dryer not included

KT009

MATERIAL: steel
FINISH: white epoxy

KT009CS

MATERIAL: AISI 304 stainless steel
FINISH: satin

machflow®

WALL RECESS KIT



KTP009

Machflow Plug-in kit

MATERIAL: PA6 V0
FINISH: black

machflow®

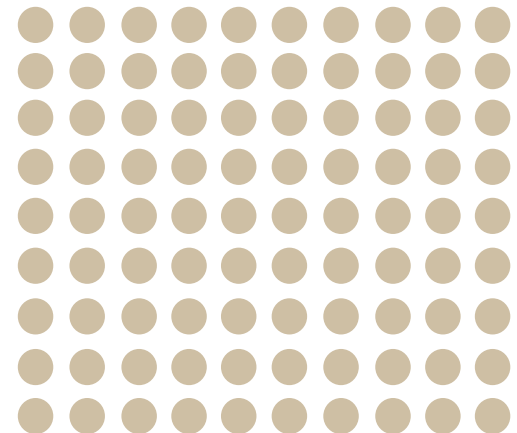
PLUG-IN KIT



RCFB001

Air freshener beads kit, 4 units, for Dualflow, U-flow, Machflow, Speedflow and Saniflow EO5 dryers

ACCESSORIES



M17A
M17A-I
 With ioniser
 FINISH: white epoxy
M17AB
M17AB-I
 With ioniser
 FINISH: matte black epoxy
 MATERIAL: steel

speedflow® plus SENSOR OPERATED

M17AC
M17AC-I
 With ioniser
 FINISH: bright
M17ACS
M17ACS-I
 With ioniser
 FINISH: satin
 MATERIAL: AISI 304 stainless steel

speedflow® plus SENSOR OPERATED

E05A
 MATERIAL: steel
 FINISH: white epoxy
E05AB
 MATERIAL: steel
 FINISH: matte black epoxy

saniflow® SENSOR OPERATED

E05AC
 MATERIAL: AISI 304 stainless steel
 FINISH: bright
E05ACS
 MATERIAL: AISI 304 stainless steel
 FINISH: satin

saniflow® SENSOR OPERATED

E88A
 MATERIAL: steel
 FINISH: white enamelled coating
E88AC
 MATERIAL: steel
 FINISH: bright chromed

saniflow® SENSOR OPERATED

E88ACS
 MATERIAL: steel
 FINISH: satin chromed
E88AO
 MATERIAL: steel
 FINISH: gold plating

saniflow® SENSOR OPERATED

E05
 MATERIAL: steel
 FINISH: white epoxy
E05B
 MATERIAL: steel
 FINISH: matte black epoxy

saniflow® PUSH-BUTTON OPERATED

E05C
 MATERIAL: AISI 304 stainless steel
 FINISH: bright
E05CS
 MATERIAL: AISI 304 stainless steel
 FINISH: satin

saniflow® PUSH-BUTTON OPERATED

E88
 MATERIAL: steel
 FINISH: white enamelled coating
E88C
 MATERIAL: steel
 FINISH: bright chromed

saniflow® PUSH-BUTTON OPERATED

E88CS
 MATERIAL: steel
 FINISH: satin chromed
E88O
 MATERIAL: steel
 FINISH: gold plating

saniflow® PUSH-BUTTON OPERATED

E85
 MATERIAL: cast iron
 FINISH: white enamelled coating

saniflow® PUSH-BUTTON OPERATED

E85A
 MATERIAL: cast iron
 FINISH: white enamelled coating

saniflow® SENSOR OPERATED

Guide to bathroom equipment and technical mobility aids for public facilities



KT0005

MATERIAL: steel
FINISH: white epoxy

KT0005C

MATERIAL: steel
FINISH: bright

KT0005CS

MATERIAL: steel
FINISH: satin

dryer not included

saniflow®

RECESS KIT FOR
SANIFLOW®



M02A

MATERIAL: steel
FINISH: white epoxy



M02AB

MATERIAL: steel
FINISH: matte black epoxy

mediflow®
intelligent

SENSOR
OPERATED



M02AC

MATERIAL: AISI 304
stainless steel
FINISH: bright



M02ACS

MATERIAL: AISI 304
stainless steel
FINISH: satin

mediflow®
intelligent

SENSOR
OPERATED



M03A

MATERIAL: steel
FINISH: white epoxy



M03AB

MATERIAL: steel
FINISH: matte black epoxy

mediflow®

SENSOR
OPERATED



M03AC

MATERIAL: AISI 304
stainless steel
FINISH: bright



M03ACS

MATERIAL: AISI 304
stainless steel
FINISH: satin

mediflow®

SENSOR
OPERATED



KT0010

MATERIAL: steel
FINISH: white epoxy

KT0010C

MATERIAL: AISI 304
stainless steel
FINISH: bright

dryer not included

KT0010CS

MATERIAL: AISI 304
stainless steel
FINISH: satin

mediflow®

RECESS KIT
FOR MEDIFLOW®



M99A

MATERIAL: steel
FINISH: white epoxy

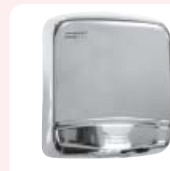


M99AB

MATERIAL: steel
FINISH: matte black epoxy

optima

SENSOR
OPERATED



M99AC

MATERIAL: AISI 304
stainless steel
FINISH: bright



M99ACS

MATERIAL: AISI 304
stainless steel
FINISH: satin

optima

SENSOR
OPERATED



M88PLUS

MATERIAL: ABS
FINISH: white
(Push-button)



M88APLUS

MATERIAL: ABS
FINISH: white
(Sensor)

juniorplus

PUSH-BUTTON/
SENSOR OPERATED



M04A

MATERIAL: ABS
FINISH: white

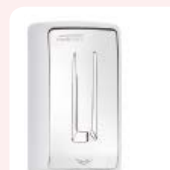


M04AB

MATERIAL: ABS
FINISH: matte black

smartflow®

SENSOR
OPERATED



M04AC

MATERIAL: ABS
FINISH: bright

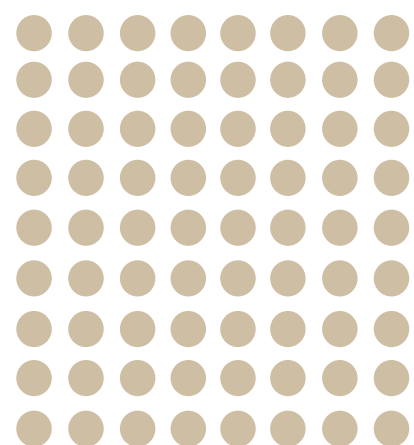


M04ACS

MATERIAL: ABS
FINISH: satin

smartflow®

SENSOR
OPERATED



02

Change the way you wash and dry your hands
HAND WASHING AND DRYING UNITS

NEW



M092AB
Hand dryer with sensor

MATERIAL: chrome-plated brass
FINISH: black

UCM092AB
COMPLETE SET
M092AB+GAJ002AB

AVAILABLE IN OTHER FINISHES.
CONTACT US!

HAND DRYER + SOAP DISPENSER AND WATER TAP

NEW



GAJ002AB
Water tap and soap dispenser with sensor

MATERIAL: chrome-plated brass
FINISH: black

UCM092AB
COMPLETE SET
M092AB+GAJ002AB

AVAILABLE IN OTHER FINISHES.
CONTACT US!

HAND DRYER + SOAP DISPENSER AND WATER TAP



METAL
finish
see p. 19

M092A
Hand dryer with sensor

MATERIAL: chrome-plated brass
FINISH: bright

UCM092A
COMPLETE SET
M092A+GAJ002AC

AVAILABLE IN OTHER FINISHES.
CONTACT US!

HAND DRYER + SOAP DISPENSER AND WATER TAP



METAL
finish
see p. 19

GAJ002AC

Water tap and soap dispenser with sensor

MATERIAL: chrome-plated brass
FINISH: bright

UCM092A
COMPLETE SET
M092A+GAJ002AC

AVAILABLE IN OTHER FINISHES.
CONTACT US!

HAND DRYER + SOAP DISPENSER AND WATER TAP

NEW



M093AB
Hand dryer with sensor

MATERIAL: AISI 304 stainless steel
FINISH: black

UCM093AB
COMPLETE SET M093AB +
DJ003AB + GA003AB

AVAILABLE IN OTHER FINISHES.
CONTACT US!

HAND DRYER + SOAP DISPENSER + WATER TAP

NEW



DJ003AB
Soap dispenser with sensor

MATERIAL: chrome-plated brass
FINISH: black

UCM093AB
COMPLETE SET M093AB +
DJ003AB + GA003AB

AVAILABLE IN OTHER FINISHES.
CONTACT US!

HAND DRYER + SOAP DISPENSER + WATER TAP

NEW



GA003AB
Tap with sensor

MATERIAL: chrome-plated brass
FINISH: black

UCM093AB
COMPLETE SET M093AB +
DJ003AB + GA003AB

AVAILABLE IN OTHER FINISHES.
CONTACT US!

HAND DRYER + SOAP DISPENSER + WATER TAP



METAL
finish
see p. 19

M093A
Hand dryer with sensor

MATERIAL: AISI 304 stainless steel
FINISH: bright

UCM093A
COMPLETE SET M093A +
DJ003AC + GA003AC

AVAILABLE IN OTHER FINISHES.
CONTACT US!

HAND DRYER + SOAP DISPENSER + WATER TAP



METAL
finish
see p. 19

DJ003AC
Soap dispenser with sensor

MATERIAL: chrome-plated brass
FINISH: bright

UCM093A
COMPLETE SET M093A +
DJ003AC + GA003AC

AVAILABLE IN OTHER FINISHES.
CONTACT US!

HAND DRYER + SOAP DISPENSER + WATER TAP



METAL
finish
see p. 19

GA003AC
Tap with sensor

MATERIAL: chrome-plated brass
FINISH: bright

UCM093A
COMPLETE SET M093A +
DJ003AC + GA003AC

AVAILABLE IN OTHER FINISHES.
CONTACT US!

HAND DRYER + SOAP DISPENSER + WATER TAP

Guide to bathroom equipment and technical mobility aids for public facilities

03

Let your hair down and enjoy life



HAIR DRYERS



SC0009

MATERIAL: **AISI 304 stainless steel**
FINISH: **white epoxy**

PUBLIC USE
AUTOMATIC OPERATION



SC0009CS

MATERIAL: **AISI 304 stainless steel**
FINISH: **satin**

PUBLIC USE
AUTOMATIC OPERATION



SC0088H

MATERIAL: **steel**
FINISH: **white vitreous enamel**

PUBLIC USE
MANUAL OPERATION



SC0088HCS

MATERIAL: **steel**
FINISH: **satin chromed**

PUBLIC USE
MANUAL OPERATION



SC1088HT

MATERIAL: **steel**
FINISH: **white vitreous enamel**

PUBLIC USE
MANUAL OPERATION



SC1088HTCS

MATERIAL: **steel**
FINISH: **satin chromed**

PUBLIC USE
MANUAL OPERATION



SC0004

MATERIAL: **ABS**
FINISH: **white**

INDIVIDUAL USE
AUTOMATIC OPERATION



SC0087

MATERIAL: **polycarbonate**
FINISH: **white**

INDIVIDUAL USE
AUTOMATIC OPERATION



SC0088
Shaver socket

MATERIAL: **polycarbonate**
FINISH: **white**

INDIVIDUAL USE
AUTOMATIC OPERATION



SC0010

MATERIAL: **ABS**
FINISH: **white**

INDIVIDUAL USE
MANUAL OPERATION



SC0010CS

MATERIAL: **ABS**
FINISH: **black / silver**

INDIVIDUAL USE
MANUAL OPERATION

50 years providing solutions for bathroom equipment



SC0020

MATERIAL: ABS
FINISH: white

INDIVIDUAL USE
MANUAL OPERATION



SC0020CS

MATERIAL: ABS
FINISH: black / silver

INDIVIDUAL USE
MANUAL OPERATION



SC0030
Shaver socket

MATERIAL: ABS
FINISH: white

INDIVIDUAL USE
MANUAL OPERATION



SC0030CS
Shaver socket

MATERIAL: ABS
FINISH: black / silver

INDIVIDUAL USE
MANUAL OPERATION



SC0040

MATERIAL: ABS
FINISH: white

INDIVIDUAL USE
MANUAL OPERATION

Are you seeking to recreate unique spaces?

Mediclinics presents the PVD technique for products with external finishes that are coloured, bright and hard-wearing, while at the same time luxurious.

PVD-coated products with gold, copper, bronze and anthracite finishes.

ASK US AND WE WILL GIVE YOU THE SOLUTION FOR RECREATING AN EXCEPTIONAL BATHROOM.

Guide to bathroom equipment and technical mobility aids for public facilities

04 A dose of health SOAP DISPENSERS



DJ0037A
Liquid soap

DJF0038A
Foam

DJS0039A
Spray

AC/DC 220V-9V
TRANSFORMER
OPTION

MAX CAPACITY 1 L
MATERIAL: **AISI 304** stainless steel
FINISH: **white epoxy**

SURFACE
AUTOMATIC OPERATION



DJ0037AB
Liquid soap

DJF0038AB
Foam

DJS0039AB
Spray

AC/DC 220V-9V
TRANSFORMER
OPTION

MAX CAPACITY 1 L
MATERIAL: **AISI 304** stainless steel
FINISH: **matte black epoxy**

SURFACE
AUTOMATIC OPERATION



DJ0037AC
Liquid soap

DJF0038AC
Foam

DJS0039AC
Spray

AC/DC 220V-9V
TRANSFORMER
OPTION

MAX CAPACITY 1 L
MATERIAL: **AISI 304** stainless steel
FINISH: **bright**

SURFACE
AUTOMATIC OPERATION



METAL
finish
see p. 19

DJ0037ACS
Liquid soap

DJF0038ACS
Foam

DJS0039ACS
Spray

AC/DC 220V-9V
TRANSFORMER
OPTION

MAX CAPACITY 1 L
MATERIAL: **AISI 304** stainless steel
FINISH: **satin**

SURFACE
AUTOMATIC OPERATION



KA0090
TRANSFORMER
power adapter
AC/DC 220V-9V

ACCESSORIES



HGPT0070B
OPTIONAL
Anti-drip tray holder

ACCESSORIES



DJ0037A - TRAF0
Liquid soap

DJF0038A - TRAF0
Foam

DJS0039A - TRAF0
Spray

PP INTERNAL
RESERVOIR

direct power
connection

MAX CAPACITY 1 L
MATERIAL: **AISI 304**
stainless steel
FINISH: **white epoxy**

SURFACE
AUTOMATIC OPERATION



DJ0037AB - TRAF0
Liquid soap

DJF0038AB - TRAF0
Foam

DJS0039AB - TRAF0
Spray

PP INTERNAL
RESERVOIR

direct power
connection

MAX CAPACITY 1 L
MATERIAL: **AISI 304**
stainless steel
FINISH: **matte black
epoxy**

SURFACE
AUTOMATIC OPERATION



DJ0037AC - TRAF0
Liquid soap

DJF0038AC - TRAF0
Foam

DJS0039AC - TRAF0
Spray

PP INTERNAL
RESERVOIR

direct power
connection

MAX CAPACITY 1 L
MATERIAL: **AISI 304**
stainless steel
FINISH: **bright**

SURFACE
AUTOMATIC OPERATION



METAL
finish
see p. 19

DJ0037ACS - TRAF0
Liquid soap

DJF0038ACS - TRAF0
Foam

DJS0039ACS - TRAF0
Spray

PP INTERNAL
RESERVOIR

direct power
connection

MAX CAPACITY 1 L
MATERIAL: **AISI 304**
stainless steel
FINISH: **satin**

SURFACE
AUTOMATIC OPERATION



DJM0037A
Liquid soap

DJFM0038A
Foam

DJSM0039A
Spray

FOR FITTING BEHIND
THE MIRROR

MAX CAPACITY 1 L
MATERIAL: **AISI 304**
stainless steel
FINISH: **grey**

SURFACE
AUTOMATIC OPERATION



DJM0037A - TRAF0
Liquid soap

DJFM0038A - TRAF0
Foam

DJSM0039A - TRAF0
Spray

FOR FITTING BEHIND THE MIRROR

direct power connection

MAX CAPACITY 1 L
MATERIAL: AISI 304 stainless steel
FINISH: grey

SURFACE
AUTOMATIC OPERATION



DJ0050A

CAPACITY: 1.2 L
MATERIAL: ABS
FINISH: white

SURFACE
AUTOMATIC OPERATION

NEW



DJ0050ACS

CAPACITY: 1.2 L
MATERIAL: AISI 304 stainless steel
FINISH: satin

SURFACE
AUTOMATIC OPERATION



DJ0160AS

CAPACITY: 0.80 L
MATERIAL: aluminium / ABS
FINISH: chrome/black

SURFACE
AUTOMATIC OPERATION



DJ0252AC

KA0252
Optional Power adapter

CAPACITY: 1.6 L
MATERIAL: chrome-plated brass
FINISH: bright

RECESSED /
AUTOMATIC OPERATION



HGPT0040

SOAP DISPENSER NOT INCLUDED

MATERIAL: steel
FINISH: white epoxy

FLOOR-STANDING PORTABLE
SANITISING STATIONS



HGPT0020B

SOAP DISPENSER NOT INCLUDED

MATERIAL: steel
FINISH: black epoxy

FLOOR-STANDING PORTABLE
SANITISING STATIONS

OPTIONAL



KG0020B

Glove holder

OPTIONAL



KITPP2279B

Anchor for waste bin

FLOOR-STANDING PORTABLE
SANITISING STATIONS



DJ0031
Liquid soap

DJF0032
Foam

DJS0033
Spray

PP INTERNAL RESERVOIR

CAPACITY: 1.5 L
MATERIAL: AISI 304 stainless steel
FINISH: white

SURFACE / PUSH-BUTTON



DJ0031B
Liquid soap

DJF0032B
Foam

DJS0033B
Spray

PP INTERNAL RESERVOIR

CAPACITY: 1.5 L
MATERIAL: AISI 304 stainless steel
FINISH: matte black epoxy

SURFACE / PUSH-BUTTON



DJ0031C
Liquid soap

DJF0032C
Foam

DJS0033C
Spray

PP INTERNAL RESERVOIR

CAPACITY: 1.5 L
MATERIAL: AISI 304 stainless steel
FINISH: bright

SURFACE / PUSH-BUTTON



DJ0031CS
Liquid soap

DJF0032CS
Foam

DJS0033CS
Spray

PP INTERNAL RESERVOIR

CAPACITY: 1.5 L
MATERIAL: AISI 304 stainless steel
FINISH: satin

SURFACE / PUSH-BUTTON

Guide to bathroom equipment and technical mobility aids for public facilities



DJ0115C

CAPACITY: **1.3 L**
 MATERIAL: **AISI 304 stainless steel**
 FINISH: **bright**

INTERNAL PE RESERVOIR

SURFACE / PUSH-BUTTON



DJ0115CS

CAPACITY: **1.3 L**
 MATERIAL: **AISI 304 stainless steel**
 FINISH: **satin**

INTERNAL PE RESERVOIR

SURFACE / PUSH-BUTTON



DJ0112C

CAPACITY: **1.1 L**
 MATERIAL: **AISI 304 stainless steel**
 FINISH: **bright**



DJ0112CS

CAPACITY: **1.1 L**
 MATERIAL: **AISI 304 stainless steel**
 FINISH: **satin**

INTERNAL PE RESERVOIR

SURFACE / PUSH-BUTTON



DJ0111C

CAPACITY: **1.1 L**
 MATERIAL: **AISI 304 stainless steel**
 FINISH: **bright**

INTERNAL PE RESERVOIR

SURFACE / PUSH-BUTTON

DJ0111CS

CAPACITY: **1.1 L**
 MATERIAL: **AISI 304 stainless steel**
 FINISH: **satin**



DJ0110C

CAPACITY: **0.35 L**
 MATERIAL: **AISI 304 stainless steel**
 FINISH: **bright**

SURFACE / PUSH-BUTTON



DJ0090C

CAPACITY: **0.3 L**
 MATERIAL: **chrome-plated brass**
 FINISH: **bright**

INTERNAL PE RESERVOIR

SURFACE / PUSH-BUTTON

DJ0090CS

CAPACITY: **0.3 L**
 MATERIAL: **chrome-plated brass**
 FINISH: **satin**



DJ0010F

CAPACITY: **1.1 L**
 MATERIAL: **ABS / SAN**
 FINISH: **white / smoked**

SURFACE / PUSH-BUTTON



DJ0020F

CAPACITY: **1.1 L**
 MATERIAL: **ABS / SAN**
 FINISH: **black / smoked**

SURFACE / PUSH-BUTTON



DJ0515F

CAPACITY: **1.2 L**
 MATERIAL: **ABS**
 FINISH: **black / smoked**

SURFACE / PUSH-BUTTON



DJ0563F

CAPACITY: **1.2 L**
 MATERIAL: **ABS**
 FINISH: **white / smoked**

SURFACE / PUSH-BUTTON

DJ0561F

CAPACITY: **0.35 L**
 MATERIAL: **ABS**
 FINISH: **white / smoked**



DJ0523

CAPACITY: **1 L**
 MATERIAL: **ABS**
 FINISH: **white / black**

SURFACE / PUSH-BUTTON



DJP0034

Liquid soap

DJFP035

Foam

DJSP036

Spray

PP INTERNAL RESERVOIR

CAPACITY: **1.5 L**
 MATERIAL: **AISI 304 stainless steel**
 FINISH: **white epoxy**

SURFACE / LEVER

50 years providing solutions for bathroom equipment



DJP0034B
Liquid soap

DJFP035B
Foam

DJSP036B
Spray

CAPACITY: **1.5 L**
MATERIAL: **AISI 304 stainless steel**
FINISH: **matte black epoxy**

PP INTERNAL RESERVOIR

SURFACE / LEVER



DJP0034C
Liquid soap

DJFP035C
Foam

DJSP036C
Spray

CAPACITY: **1.5 L**
MATERIAL: **AISI 304 stainless steel**
FINISH: **bright**

PP INTERNAL RESERVOIR

SURFACE / LEVER



DJP0034CS
Liquid soap

DJFP035CS
Foam

DJSP036CS
Spray

CAPACITY: **1.5 L**
MATERIAL: **AISI 304 stainless steel**
FINISH: **satin**

PP INTERNAL RESERVOIR

SURFACE / LEVER



DJE0010CS

CAPACITY: **1.4 L**
MATERIAL: **AISI 304 stainless steel**
FINISH: **satin**

RECESSED / PUSH-BUTTON



DJT118

CAPACITY: **1 L**
MATERIAL: **chrome-plated brass**
FINISH: **bright**

RECESSED / PUSH-BUTTON



DJ0121C

CAPACITY: **0.52 L**
MATERIAL: **chrome-plated brass**
FINISH: **bright**

RECESSED / PUSH-BUTTON



DJ0120C

CAPACITY: **0.52 L**
MATERIAL: **stainless chrome-plated brass**
FINISH: **bright**

RECESSED / PUSH-BUTTON



Guide to bathroom equipment and technical mobility aids for public facilities

05



We wrap you in comfort

TOILET PAPER DISPENSERS



PR2783C

CAPACITY: **max. roll**
Ø230 mm
MATERIAL: **AISI 304**
stainless steel
FINISH: **bright**

INDUSTRIAL /
Ø230 MM JUMBO ROLL



PR2783

CAPACITY: **max. roll**
Ø230 mm
MATERIAL: **steel**
FINISH: **white epoxy**

INDUSTRIAL /
Ø230 MM JUMBO ROLL



PR2783B

CAPACITY: **max. roll**
Ø230 mm
MATERIAL: **steel**
FINISH: **matte**
black epoxy

INDUSTRIAL /
Ø230 MM JUMBO ROLL



METAL
finish
see p. 19

PR2783CS

CAPACITY: **max. roll**
Ø230 mm
MATERIAL: **AISI 304**
stainless steel
FINISH: **satın**

INDUSTRIAL /
Ø230 MM JUMBO ROLL



PR2787

CAPACITY: **max. roll**
Ø275 mm.
MATERIAL: **steel**
FINISH: **white epoxy**

INDUSTRIAL /
Ø275 MM JUMBO ROLL.



PR2787B

CAPACITY: **max. roll**
Ø275 mm.
MATERIAL: **steel**
FINISH: **matte**
black epoxy

INDUSTRIAL /
Ø275 MM JUMBO ROLL.



PR2787C

CAPACITY: **max. roll**
Ø275 mm.
MATERIAL: **AISI 304**
stainless steel
FINISH: **bright**

INDUSTRIAL /
Ø275 MM JUMBO ROLL.



PR2787CS

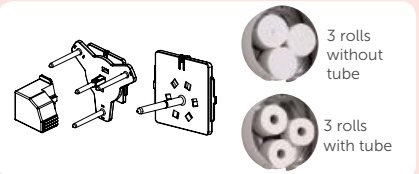
CAPACITY: **max. roll**
Ø275 mm.
MATERIAL: **AISI 304**
stainless steel
FINISH: **satın**

INDUSTRIAL /
Ø275 MM JUMBO ROLL.

KIT 2789

Optional 3 roll spindle for models PR2787

MATERIAL: **thermoplastic**
FINISH: **black**



ACCESSORY



PR2789

CAPACITY: **3 rolls**
MATERIAL: **steel**
FINISH: **white epoxy**

STANDARD - 3 PAPER ROLLS /
JUMBO ROLL Ø275 MM.



PR2789B

CAPACITY: **3 rolls**
MATERIAL: **steel**
FINISH: **matte**
black epoxy

STANDARD - 3 PAPER ROLLS /
JUMBO ROLL Ø275 MM.



PR2789C

CAPACITY: **3 rolls**
 MATERIAL: **AISI 304 stainless steel**
 FINISH: **bright**

STANDARD - 3 PAPER ROLLS /
 JUMBO ROLL Ø275 MM.



PR2789CS

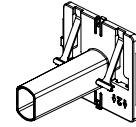
CAPACITY: **3 rolls**
 MATERIAL: **AISI 304 stainless steel**
 FINISH: **satin**

STANDARD - 3 PAPER ROLLS /
 JUMBO ROLL Ø275 MM.

9391005SMD

Optional toilet paper spindle for models PR2789

MATERIAL: **thermoplastic**
 FINISH: **black**

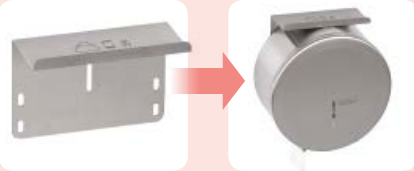


jumbo roll

ACCESSORY

RPR2700CS

Toilet roll holder shelf for placing objects



DIM.: **180 x 123 x 84 mm.** dispenser not included
 MATERIAL: **AISI 304 stainless steel**
 FINISH: **satin**

ACCESSORIES FOR MODELS PR2783 -
 PR0783 - PR2787 - PRO787 - PR2789



PR0784

PR0781

CAPACITY: **3 rolls**

PR0784

CAPACITY: **2 rolls**

MATERIAL: **steel**
 FINISH: **white epoxy**

STANDARD -
 2/3 PAPER ROLL UNITS



PR0781C

CAPACITY: **3 rolls**
 MATERIAL: **AISI 304 stainless steel**
 FINISH: **bright**

PR0781CS

CAPACITY: **3 rolls**
 MATERIAL: **AISI 304 stainless steel**
 FINISH: **satin**

STANDARD -
 3 PAPER ROLL UNITS



PR2784

CAPACITY: **2 rolls**
 MATERIAL: **steel**
 FINISH: **white epoxy**

STANDARD -
 PAPER ROLL 2 UNITS



PR2784B

CAPACITY: **2 rolls**
 MATERIAL: **steel**
 FINISH: **matte black epoxy**

STANDARD -
 PAPER ROLL 2 UNITS



PR2784C

CAPACITY: **2 rolls**
 MATERIAL: **AISI 304 stainless steel**
 FINISH: **bright**

STANDARD -
 PAPER ROLL 2 UNITS



METAL
 finish
 see p. 19



PR2784CS

CAPACITY: **2 rolls**
 MATERIAL: **AISI 304 stainless steel**
 FINISH: **satin**

STANDARD -
 PAPER ROLL 2 UNITS



PR0700CS

CAPACITY: **2 rolls**
 MATERIAL: **AISI 304 stainless steel**
 FINISH: **satin**

STANDARD -
 PAPER ROLL 2 UNITS



PRE700CS

For recessed mounting on walls

CAPACITY: **2 rolls**
 MATERIAL: **AISI 304 stainless steel**
 FINISH: **satin**

STANDARD -
 PAPER ROLL 2 UNITS

Guide to bathroom equipment and technical mobility aids for public facilities



DCA100CS

CAPACITY: **250**
seat covers
MATERIAL: **AISI 304**
stainless steel
FINISH: **satin**

TOILET SEAT COVER DISPENSER



DTH100

CAPACITY: **400 sheets**
(approx.)
MATERIAL: **steel**
FINISH: **white epoxy**

FOLDED TOILET TISSUE DISPENSER



DTH100C

CAPACITY: **400 sheets**
(approx.)
MATERIAL: **AISI 304**
stainless steel
FINISH: **bright**

FOLDED TOILET TISSUE DISPENSER



DTH100CS

CAPACITY: **400 sheets**
(approx.)
MATERIAL: **AISI 304**
stainless steel
FINISH: **satin**

FOLDED TOILET TISSUE DISPENSER



NEW

DTH100B

CAPACITY: **400 sheets**
(approx.)
MATERIAL: **steel**
FINISH: **black epoxy**

FOLDED TOILET TISSUE DISPENSER



DBH100

CAPACITY: **50 bags**
(approx.)
MATERIAL: **steel**
FINISH: **white epoxy**

SANITARY BAG DISPENSER



DBH100C

CAPACITY: **50 bags**
(approx.)
MATERIAL: **AISI 304**
stainless steel
FINISH: **bright**

SANITARY BAG DISPENSER



DBH100CS

CAPACITY: **50 bags**
(approx.)
MATERIAL: **AISI 304**
stainless steel
FINISH: **satin**

SANITARY BAG DISPENSER



AI0920C

AI0920CS

MATERIAL: **AISI 304**
stainless steel
FINISH: **satin**

SANITARY BAG DISPENSER



06

Caressing
your hands
**PAPER TOWEL
DISPENSERS**



DT2106

CAPACITY: **400-600 C/Z**
towels
MATERIAL: **steel**
FINISH: **white epoxy**

FOLDED PAPER TOWEL C/Z
- WALL-MOUNTED



DT2106B

CAPACITY: **400-600 C/Z**
towels
MATERIAL: **steel**
FINISH: **matte
black epoxy**

FOLDED PAPER TOWEL C/Z
- WALL-MOUNTED



DT2106C

CAPACITY: **400-600 C/Z**
towels
MATERIAL: **AISI 304
stainless steel**
FINISH: **bright**

FOLDED PAPER TOWEL C/Z
- WALL-MOUNTED



DT2106CS

CAPACITY: **400-600 C/Z**
towels
MATERIAL: **AISI 304
stainless steel**
FINISH: **satın**

FOLDED PAPER TOWEL C/Z
- WALL-MOUNTED



DTM2106

Paper towel
dispenser to be fitted
behind the mirror

CAPACITY: **400-600 C/Z**
fold towels
MATERIAL: **AISI 304
stainless steel**
FINISH: **satın**

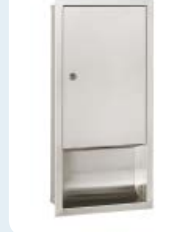
FOLDED PAPER TOWEL C/Z
- WALL-MOUNTED



DTE0020CS

CAPACITY: **200-400 C/Z**
paper towels
MATERIAL: **AISI 304
stainless steel**
FINISH: **satın**

C/Z FOLD PAPER TOWEL - RECESSED



DTE0040CS

CAPACITY: **600-800 C/Z**
paper towels
MATERIAL: **AISI 304
stainless steel**
FINISH: **satın**

C/Z FOLD PAPER TOWEL - RECESSED



DTP025CS

CAPACITY: **paper roll
Ø220 mm.**
MATERIAL: **AISI 304
stainless steel**
FINISH: **satın**

WALL-MOUNTED ROLL



DT0208ACS

CAPACITY: **paper roll
Ø200 mm.**
MATERIAL: **AISI 304
stainless steel**
FINISH: **satın**

ROLL - SEMI-AUTOMATIC /
MANUAL, WALL-MOUNTED



DT0303

CAPACITY: **max roll
Ø250 mm**
MATERIAL: **steel**
FINISH: **white epoxy**

JUMBO ROLL - WALL-MOUNTED



DT0303C

CAPACITY: **max roll
Ø250 mm**
MATERIAL: **AISI 304
stainless steel**
FINISH: **bright**

DT0303CS

CAPACITY: **max roll
Ø250 mm**
MATERIAL: **AISI 304
stainless steel**
FINISH: **satın**

JUMBO ROLL - WALL-MOUNTED

Guide to bathroom equipment and technical mobility aids for public facilities

07

A place for everything

WASTE BINS AND OTHER CONTAINERS



PP0080
CAPACITY: 80 L

PP0065
CAPACITY: 65 L

MATERIAL: steel
FINISH: white epoxy

WASTE BINS - WITH SELF-CLOSING LID



PP0080C
CAPACITY: 80 L

PP0065C
CAPACITY: 65 L

MATERIAL: AISI 304 stainless steel
FINISH: bright

WASTE BINS - WITH SELF-CLOSING LID



PP0080CS
CAPACITY: 80 L

PP0065CS
CAPACITY: 65 L

MATERIAL: AISI 304 stainless steel
FINISH: satin

WASTE BINS - WITH SELF-CLOSING LID



PP1080
CAPACITY: 80 L

PP1065
CAPACITY: 65 L

MATERIAL: steel
FINISH: white epoxy

OPEN BINS



PP1080C
CAPACITY: 80 L

PP1065C
CAPACITY: 65 L

MATERIAL: AISI 304 stainless steel
FINISH: bright

OPEN BINS



PP1080CS
CAPACITY: 80 L

PP1065CS
CAPACITY: 65 L

MATERIAL: AISI 304 stainless steel
FINISH: satin

OPEN BINS



PPA4279
CAPACITY: 40 L
MATERIAL: steel
FINISH: white epoxy

OPEN BINS



PPA4279B
CAPACITY: 40 L
MATERIAL: steel
FINISH: matte black epoxy

OPEN BINS



PPA4279C
CAPACITY: 40 L
MATERIAL: AISI 304 stainless steel
FINISH: bright

OPEN BINS



PPA4279CS
CAPACITY: 40 L
MATERIAL: AISI 304 stainless steel
FINISH: satin

OPEN BINS



PPA2279
CAPACITY: 25 L
MATERIAL: steel
FINISH: white epoxy

OPEN BINS

50 years providing solutions for bathroom equipment



PPA2279B

CAPACITY: 25 L
MATERIAL: steel
FINISH: matte black epoxy

OPEN BINS



PPA2279C

CAPACITY: 25 L
MATERIAL: AISI 304 stainless steel
FINISH: bright

OPEN BINS



METAL finish see p. 19
PPA2279CS

CAPACITY: 25 L
MATERIAL: AISI 304 stainless steel
FINISH: satin

OPEN BINS

NEW



PPA2212

CAPACITY: 12 L

MATERIAL: steel
FINISH: white epoxy

OPEN WASTE BINS

NEW



PPA2212B

CAPACITY: 12 L

MATERIAL: steel
FINISH: matte black epoxy

OPEN WASTE BINS

NEW



PPA2212CS

CAPACITY: 12 L

MATERIAL: AISI 304 stainless steel
FINISH: satin

OPEN WASTE BINS



PP2053B

CAPACITY: 50 L

PP2018B

CAPACITY: 18 L

medicolor

+info: page 71. Final amount to pay according to colour.
MATERIAL: AISI 430 stainless steel
FINISH: black

OPEN BINS



PP2053CS

CAPACITY: 50 L

PP2018CS

CAPACITY: 18 L

Steel Anti-fingerprint

MATERIAL: AISI 430 stainless steel
FINISH: satin

OPEN BINS



PPE0010CS

CAPACITY: 14.2 L

MATERIAL: AISI 304 stainless steel
FINISH: satin

RECESSED WASTE BINS



PPE0035CS

CAPACITY: 5.4 L

MATERIAL: AISI 304 stainless steel
FINISH: satin

RECESSED WASTE BINS



PP0003C

Recessed waste disposal channel

MATERIAL: AISI 304 stainless steel
FINISH: satin

WASTE CONTAINERS



PP0006

CAPACITY: 6 L
MATERIAL: steel
FINISH: white epoxy

PP0006B

CAPACITY: 6 L
MATERIAL: steel
FINISH: matte black epoxy

SANITARY BINS - WALL-MOUNTED WITH LID

Guide to bathroom equipment and technical mobility aids for public facilities



PP0006C

CAPACITY: 6 L
MATERIAL: **AISI 304 stainless steel**
FINISH: **bright**

SANITARY BINS - WALL-MOUNTED WITH LID



PP0006CS

CAPACITY: 6 L
MATERIAL: **AISI 304 stainless steel**
FINISH: **satin**

SANITARY BINS - WALL-MOUNTED WITH LID



NEW

PPA4010

CAPACITY: 10 L

MATERIAL: **steel**
FINISH: **white epoxy**

SANITARY BINS - WALL-MOUNTED WITH DOUBLE LID



NEW

PPA4010CS

CAPACITY: 10 L

MATERIAL: **AISI 304 stainless steel**
FINISH: **satin**

SANITARY BINS - WALL-MOUNTED WITH DOUBLE LID



NEW

PPA4010B

CAPACITY: 10 L

MATERIAL: **steel**
FINISH: **black epoxy**

SANITARY BINS - WALL-MOUNTED WITH DOUBLE LID



PP1214

CAPACITY: 14.5 L

PP1206
CAPACITY: 6 L

MATERIAL: **steel**
FINISH: **white**

PEDAL BINS - SQUARE



PP1214C

CAPACITY: 14.5 L

PP1206C
CAPACITY: 6 L

MATERIAL: **AISI 410 stainless steel**
FINISH: **bright**

PEDAL BINS - SQUARE



PP1214CS

CAPACITY: 14.5 L

PP1206CS
CAPACITY: 6 L

MATERIAL: **AISI 410 stainless steel**
FINISH: **satin**

PEDAL BINS - SQUARE



PP1321

CAPACITY: 20 L

PP1312
CAPACITY: 12 L

PP1305
CAPACITY: 5 L

PP1303
CAPACITY: 3 L

MATERIAL: **steel**
FINISH: **white**

PEDAL BINS - CIRCULAR



NEW

PP1305B

CAPACITY: 5 L

MATERIAL: **steel**
FINISH: **black**

PEDAL BINS - CIRCULAR



PP1321C

CAPACITY: 20 L

PP1312C
CAPACITY: 12 L

PP1305C
CAPACITY: 5 L

PP1303C
CAPACITY: 3 L

MATERIAL: **AISI 410 stainless steel**
FINISH: **bright**

PEDAL BINS - CIRCULAR



PP1321CS

CAPACITY: 20 L

PP1312CS
CAPACITY: 12 L

PP1305CS
CAPACITY: 5 L

PP1303CS
CAPACITY: 3 L

MATERIAL: **AISI 410 stainless steel**
FINISH: **satin**

PEDAL BINS - CIRCULAR



08
Stronger together

COMBINED UNITS



DTES0040CS
Recessed

Paper towel dispenser capacity:
towel: 300-500 C/Z fold paper towels
Bin capacity: 24 L

MATERIAL: **AISI 304 stainless steel**
FINISH: **satin**

PAPER TOWEL DISPENSER + HAND DRYER + WASTE BIN



DTES0060CS
Recessed

Paper towel dispenser capacity:
towel: 500-600 C/Z fold paper towels
Bin capacity: 23 L

MATERIAL: **AISI 304 stainless steel**
FINISH: **satin**

PAPER TOWEL DISPENSER + HAND DRYER + WASTE BIN



KT0040CS

Optional frame for wall mounting.
Models DTE0040CS and DTE0060CS

MATERIAL: **AISI 304 stainless steel**
FINISH: **satin**

ACCESSORY



DTE0050CS
Recessed

Paper towel dispenser capacity:
600-800 C/Z fold paper towels
Bin capacity: 12.5 L

MATERIAL: **AISI 304 stainless steel**
FINISH: **satin**

PAPER TOWEL DISPENSER + WASTE BIN



DTE0010CS
Recessed

Paper towel dispenser capacity:
600-800 C/Z fold paper towels
Bin capacity: 26.5 L

MATERIAL: **AISI 304 stainless steel**
FINISH: **satin**

PAPER TOWEL DISPENSER + WASTE BIN



DTE0030CS
Recessed

Paper towel dispenser capacity:
400-600 C/Z fold paper towels
Bin capacity: 7.6 L

MATERIAL: **AISI 304 stainless steel**
FINISH: **satin**

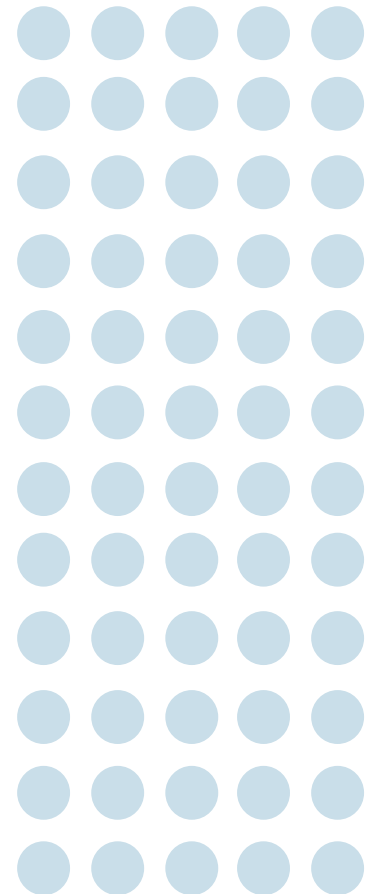
PAPER TOWEL DISPENSER + WASTE BIN



KT0030CS
surface-mounting frame
Model DTE0030CS

MATERIAL: **AISI 304 stainless steel**
FINISH: **satin**

ACCESSORY



Guide to bathroom equipment and technical mobility aids for public facilities

09

Down to the smallest detail

BATHROOM ACCESSORIES



AI1313C
FINISH: bright

AI1313CS
FINISH: satin

AI1313B
FINISH: black

600 x 65 mm.

MATERIAL: AISI 304 stainless steel

AURA SERIES
TOWEL RAIL



AI1323C
FINISH: bright

AI1323CS
FINISH: satin

AI1323B
FINISH: black

600 x 215 x 150 mm.

MATERIAL: AISI 304 stainless steel

AURA SERIES
TOWEL SHELF WITH BAR



AI1311C
FINISH: bright

AI1311CS
FINISH: satin

AI1311B
FINISH: black

600 x 115 mm.

MATERIAL: AISI 304 stainless steel

AURA SERIES
DOUBLE TOWEL RAIL



AI1321C
FINISH: bright

AI1321CS
FINISH: satin

AI1321B
FINISH: black

238 x 65 mm.

MATERIAL: AISI 304 stainless steel

AURA SERIES
TOILET ROLL HOLDERS



AI2318C
FINISH: bright

AI2318CS
FINISH: satin

AI2318B
FINISH: black

90 x 55 x 41 mm.

MATERIAL: AISI 304 stainless steel

AURA SERIES
DOUBLE ROBE HOOK



AI1318C
FINISH: bright

AI1318CS
FINISH: satin

AI1318B
FINISH: black

55 x 55 mm.

MATERIAL: AISI 304 stainless steel

AURA SERIES
ROBE HOOK



ES1002C
FINISH: bright

ES1002CS
FINISH: satin

ES1002B
FINISH: black

89 x 400 mm.

MATERIAL: AISI 304 stainless steel

AURA SERIES
TOILET BRUSH SET



AI1423C
FINISH: bright

AI1423CS
FINISH: satin

AI1423B
FINISH: black

600 x 215 mm.

MATERIAL: AISI 304 stainless steel

HARMONÍA SERIES
TOWEL SHELF WITH BAR



AI1411C
FINISH: bright

AI1411CS
FINISH: satin

AI1411B
FINISH: black

600 x 120 mm.

MATERIAL: AISI 304 stainless steel

HARMONÍA SERIES
DOUBLE TOWEL RAIL



AI1413C
FINISH: bright

AI1413CS
FINISH: satin

AI1413B
FINISH: black

600 x 70 mm.

MATERIAL: AISI 304 stainless steel

HARMONÍA SERIES
TOWEL RAIL



AI2006C
FINISH: bright

AI2006CS
FINISH: satin

AI2006B
FINISH: black

270 x 103 mm.

MATERIAL: AISI 304 stainless steel

HARMONÍA SERIES
DOUBLE TOILET ROLL HOLDER WITH SHELF



AI2005C
FINISH: bright

AI2005CS
FINISH: satin

AI2005B
FINISH: black

160 x 102 mm.

MATERIAL: AISI 304 stainless steel

HARMONÍA SERIES
TOILET ROLL HOLDER WITH SHELF



AI1421C
FINISH: bright

AI1421CS
FINISH: satin

AI1421B
FINISH: black

196 x 70 mm.

MATERIAL: AISI 304 stainless steel

HARMONÍA SERIES
TOILET ROLL HOLDERS



AI2418C
FINISH: bright

AI2418CS
FINISH: satin

AI2418B
FINISH: black

90 x 60 x 40 mm.

MATERIAL: AISI 304 stainless steel

HARMONÍA SERIES
DOUBLE ROBE HOOK



AI1418C
FINISH: bright

AI1418CS
FINISH: satin

AI1418B
FINISH: black

30 x 60 x 67 mm.

MATERIAL: AISI 304 stainless steel

HARMONÍA SERIES
ROBE HOOK



ES1003C
FINISH: bright

ES1003CS
FINISH: satin

ES1003B
FINISH: black

89 x 401 mm.

MATERIAL: AISI 304 stainless steel

HARMONÍA SERIES
TOILET BRUSH SET




AI0040C
FINISH: bright

AI0040CS
FINISH: satin

535 x 120 mm.

MATERIAL: AISI 304 stainless steel

MEDINOX SERIES
TOWEL SHELF WITH BAR




AI0030C
FINISH: bright

AI0030CS
FINISH: satin

535 x 120 mm.

MATERIAL: AISI 304 stainless steel

MEDINOX SERIES
DOUBLE TOWEL RAIL



AI0020C
FINISH: bright

AI0020CS
FINISH: satin

535 x 66 mm.

MATERIAL: AISI 304 stainless steel

MEDINOX SERIES
TOWEL RAIL



AI0090C
FINISH: bright

AI0090CS
FINISH: satin

205 x 65 x 135 mm.

MATERIAL: AISI 304 stainless steel

MEDINOX SERIES
TOWEL RAIL



AI0110C
FINISH: bright

AI0110CS
FINISH: satin

Ø 165 x 65 mm.

MATERIAL: AISI 304 stainless steel

MEDINOX SERIES
TOWEL RAIL

Guide to bathroom equipment and technical mobility aids for public facilities



AI0060C
FINISH: bright

AI0060CS
FINISH: satin

535 x 120 mm.

MATERIAL: AISI 304 stainless steel

MEDINOX SERIES
SHELF



AI0140C
FINISH: bright

AI0140CS
FINISH: satin

340 x 100 x 24 mm.

MATERIAL: AISI 304 stainless steel

MEDINOX SERIES
SOAP BASKET



AI0160C
FINISH: bright

AI0160CS
FINISH: satin

170 x 100 x 24 mm.

MATERIAL: AISI 304 stainless steel

MEDINOX SERIES
SOAP BASKET



AI0050C
FINISH: bright

AI0050CS
FINISH: satin

143 x 120 mm.

MATERIAL: AISI 304 stainless steel

MEDINOX SERIES
SOAP DISH



AI0080C
FINISH: bright

AI0080CS
FINISH: satin

140 x 65 mm.

MATERIAL: AISI 304 stainless steel

MEDINOX SERIES
ROLL HOLDER WITH COVER



AI0070C
FINISH: bright

AI0070CS
FINISH: satin

140 x 65 mm.

MATERIAL: AISI 304 stainless steel

MEDINOX SERIES
TOILET ROLL HOLDERS



AI0100C
FINISH: bright

AI0100CS
FINISH: satin

155 x 65 x 66 mm.

MATERIAL: AISI 304 stainless steel

MEDINOX SERIES
SPARE ROLL HOLDER



ES0965C
FINISH: bright

ES0965CS
FINISH: satin

100 x 400 mm.

MATERIAL: AISI 304 stainless steel

MEDINOX SERIES
TOILET BRUSH SET



AI0010C
FINISH: bright

AI0010CS
FINISH: satin

40 x 34 mm.

MATERIAL: AISI 304 stainless steel

MEDINOX SERIES
ROBE HOOK



AI0710C
FINISH: bright

AI0710CS
FINISH: satin

495 x 208 mm.

MATERIAL: AISI 304 stainless steel

MEDISTEEL SERIES
TOWEL SHELF WITH BAR



AI0184C
FINISH: bright

AI0184CS
FINISH: satin

AI0184B
FINISH: matte black

495 x 88 mm.

MATERIAL: AISI 304 stainless steel

MEDISTEEL SERIES
TOWEL RAIL



AI0115C
FINISH: bright

AI0115CS
FINISH: satin

AI0115B
FINISH: matte black

132 x 60 x 130 mm.

MATERIAL: AISI 304 stainless steel

MEDISTEEL SERIES
TOWEL RAIL



AI0720C
FINISH: bright

AI0720CS
FINISH: satin

AI0720B
FINISH: matte black

525 x 161 mm.

MATERIAL: AISI 304 stainless steel

MEDISTEEL SERIES
SHELF



AI0118C
FINISH: bright

AI0118CS
FINISH: satin

AI0118B
FINISH: matte black

108 x 106 x 52 mm.

MATERIAL: AISI 304 stainless steel

MEDISTEEL SERIES
SOAP DISH



AI0985C
FINISH: bright

AI0985CS
FINISH: satin

AI0985B
FINISH: matte black

240 x 54 x 126 mm.

MATERIAL: AISI 304 stainless steel

MEDISTEEL SERIES
TISSUE DISPENSER



AI0310C
FINISH: bright

AI0310CS
FINISH: satin

AI0310B
FINISH: matte black

161 x 95 x 161 mm.

MATERIAL: AISI 304 stainless steel

MEDISTEEL SERIES
ROLL HOLDER WITH COVER



AIE310C
FINISH: bright

AIE310CS
FINISH: satin

160 x 50 x 160 mm.

MATERIAL: AISI 304 stainless steel

MEDISTEEL SERIES
RECESSED TOILET ROLL HOLDER WITH COVER



AI0320C
FINISH: bright

AI0320CS
FINISH: satin

AI0320B
FINISH: matte black

320 x 50 x 160 mm.

MATERIAL: AISI 304 stainless steel

MEDISTEEL SERIES
DOUBLE ROLL HOLDER WITH COVER



AI0320C
FINISH: bright

AI0320CS
FINISH: satin

321 x 50 x 160 mm.

MATERIAL: AISI 304 stainless steel

MEDISTEEL SERIES
RECESSED DOUBLE ROLL HOLDER WITH COVER



AI0129C
FINISH: bright

AI0129CS
FINISH: satin

AI0129B
FINISH: matte black

130 x 80 x 73 mm.

MATERIAL: AISI 304 stainless steel

MEDISTEEL SERIES
ROLL HOLDER WITH COVER



AI0113C
FINISH: bright

AI0113CS
FINISH: satin

AI0113B
FINISH: matte black

193 x 97 mm.

MATERIAL: AISI 304 stainless steel

MEDISTEEL SERIES
TOILET ROLL HOLDERS



AI0968C
FINISH: bright

AI0968CS
FINISH: satin

66 x 116 x 208 mm.

MATERIAL: AISI 304 stainless steel

MEDISTEEL SERIES
SPARE ROLL HOLDER



AI0036C
FINISH: bright

AI0036CS
FINISH: satin

AI0036B
FINISH: matte black

100 x 48 x 52 mm.

MATERIAL: AISI 304 stainless steel

MEDISTEEL SERIES
DOUBLE ROBE HOOK



AI0033C
FINISH: bright

AI0033CS
FINISH: satin

AI0033B
FINISH: matte black

52 x 41 mm.

MATERIAL: AISI 304 stainless steel

MEDISTEEL SERIES
ROBE HOOK

Guide to bathroom equipment and technical mobility aids for public facilities



ES0968C
FINISH: **bright**

ES0968CS
FINISH: **satin**
106 x 407 mm.

MATERIAL: **AISI 304**
stainless steel

MEDISTEEL SERIES
TOILET BRUSH SET



AI0170C
Ø 170 mm.

MATERIAL: **AISI 304**
stainless steel
FINISH: **bright**

MEDISTEEL SERIES
MAGNIFYING MIRROR



AI0910C
Ø 91 mm.

MATERIAL: **AISI 304**
stainless steel
FINISH: **bright**

MEDISTEEL SERIES
RETRACTABLE CLOTHES LINE



PP0162C
FINISH: **bright**

PP0162CS
FINISH: **satin**
114 x 100 x 40 mm.

MATERIAL: **AISI 304**
stainless steel

MEDISTEEL SERIES
ASHTRAY



PP0104CS
190 x 100 x 95 mm.

MATERIAL: **AISI 304**
stainless steel
FINISH: **satin**

MEDISTEEL SERIES
ASHTRAY



ES0010
FINISH: **white epoxy**

ES0010B
FINISH: **black epoxy**
Ø 90 x 400 mm.

MATERIAL: **steel**

MEDICOLOR SERIES
TOILET BRUSH SET



AC0959 C
Towel shelf with bar

MATERIAL: **chrome-plated brass**
FINISH: **bright**

MEDICROM SERIES
SHELF



AC0973C
Grab bar /
towel rail 658 mm

AC0974C
Grab bar /
towel rail 528 mm

AC0950C
Grab bar /
towel rail 305 mm

MATERIAL: **chrome-plated**
brass
FINISH: **bright**

MEDICROM SERIES
TOWEL RAIL



AC0961C
390 x Ø 53 mm.

MATERIAL: **chrome-plated brass**
FINISH: **bright**

MEDICROM SERIES
TOWEL RAIL



AC0978C
Ø 200 mm.

AC0979C
Ø 170 mm.

MATERIAL: **chrome-plated brass**
FINISH: **bright**

MEDICROM SERIES
TOWEL RAIL



AC0956C
423 x 120 x 207 mm.

MATERIAL: **chrome-plated brass**
FINISH: **bright**

MEDICROM SERIES
GRAB BAR



AC0957C
423 x 120 x 207 mm.

MATERIAL: **chrome-plated brass**
FINISH: **bright**

MEDICROM SERIES
GRAB BAR WITH SOAP DISH

50 years providing solutions for bathroom equipment



AC0962C
175 x 107 mm.

AC0963C
264 x 107 mm.

MATERIAL: chrome-plated brass
FINISH: bright

MEDICROM SERIES
SOAP DISH



AC0964C
227 x 145 x 28 mm.

MATERIAL: chrome-plated brass
FINISH: bright

MEDICROM SERIES
TRIANGULAR SOAP BASKET



AC0780C
600 x 64 x 134 mm.

MATERIAL: chrome-plated brass / glass
FINISH: bright

MEDICROM SERIES
SHELF



AC0083C
270 x 53 x 145 mm.

MATERIAL: chrome-plated brass
FINISH: bright

MEDICROM SERIES
TISSUE DISPENSER



AC0967C
121 x 101 x 33 mm.

MATERIAL: chrome-plated brass
FINISH: bright

MEDICROM SERIES
ROLL HOLDER WITH COVER



AC0970C
50 x 115 x 186 mm.

MATERIAL: chrome-plated brass
FINISH: bright

MEDICROM SERIES
SPARE ROLL HOLDER



AC0966C
Ø 53 x 62 mm.

MATERIAL: chrome-plated brass
FINISH: bright

MEDICROM SERIES
ROBE HOOK



ES0010C
Ø 90 x 400 mm.

MATERIAL: chrome-plated brass
FINISH: bright

MEDICROM SERIES
TOILET BRUSH SET



Guide to bathroom equipment and technical mobility aids for public facilities

10

So that you never lose your way



SIGNAGE



PS0001CS

MATERIAL: AISI 304 stainless steel
FINISH: satin

VISUAL COMMUNICATION
UNISEX TOILET



PS0002CS

MATERIAL: AISI 304 stainless steel
FINISH: satin

VISUAL COMMUNICATION
WOMEN'S TOILET



PS0003CS

MATERIAL: AISI 304 stainless steel
FINISH: satin

VISUAL COMMUNICATION
MEN'S TOILET



PS0004CS

MATERIAL: AISI 304 stainless steel
FINISH: satin

VISUAL COMMUNICATION
ACCESSIBLE TOILET



PS0005CS

MATERIAL: AISI 304 stainless steel
FINISH: satin

VISUAL COMMUNICATION
CHANGING STATION



PS0006CS

MATERIAL: AISI 304 stainless steel
FINISH: satin

VISUAL COMMUNICATION
BREASTFEEDING AREA



PS0007CS

MATERIAL: AISI 304 stainless steel
FINISH: satin

VISUAL COMMUNICATION
SHOWERS



PS0008CS

MATERIAL: AISI 304 stainless steel
FINISH: satin

VISUAL COMMUNICATION
SILENCE



PS0009CS

MATERIAL: AISI 304 stainless steel
FINISH: satin

VISUAL COMMUNICATION
NO SMOKING



PS0010CS

MATERIAL: AISI 304 stainless steel
FINISH: satin

VISUAL COMMUNICATION
MOBILE PHONE USE PROHIBITED



11

On an equal footing

GRAB BARS AND OTHER TECHNICAL MOBILITY AIDS



BR2300B

length: 390 mm.

BR2400B

length: 540 mm.

BR2600B

length: 695 mm.

straight bar

MATERIAL: AISI 201 stainless steel
FINISH: matte black epoxy

MEDIEPOXI SERIES, BLACK / WHITE AISI 201 STAINLESS STEEL BARS



BR2300

length: 390 mm.

BR2400

length: 540 mm.

BR2600

length: 695 mm.

straight bar

MATERIAL: AISI 201 stainless steel
FINISH: white epoxy

MEDIEPOXI SERIES, BLACK / WHITE AISI 201 STAINLESS STEEL BARS



BG2800B

vertical drop-down bar

MATERIAL: AISI 201 stainless steel
FINISH: matte black epoxy

MEDIEPOXI SERIES, BLACK / WHITE AISI 201 STAINLESS STEEL BARS



BG2800

vertical drop-down bar

MATERIAL: AISI 201 stainless steel
FINISH: white epoxy

MEDIEPOXI SERIES, BLACK / WHITE AISI 201 STAINLESS STEEL BARS



BGC2710B

vertical drop-down bar with fixed column, 722 mm.

MATERIAL: AISI 201 stainless steel
FINISH: matte black epoxy

MEDIEPOXI SERIES, BLACK / WHITE AISI 201 STAINLESS STEEL BARS



BGC2710

vertical drop-down bar with fixed column, 722 mm.

MATERIAL: AISI 201 stainless steel
FINISH: white epoxy

MEDIEPOXI SERIES, BLACK / WHITE AISI 201 STAINLESS STEEL BARS



BD2700B

angled bar on two walls with 3 anchor points

MATERIAL: AISI 201 stainless steel
FINISH: matte black epoxy

MEDIEPOXI SERIES, BLACK / WHITE AISI 201 STAINLESS STEEL BARS



BD2700

angled bar on two walls with 3 anchor points

MATERIAL: AISI 201 stainless steel
FINISH: white epoxy

MEDIEPOXI SERIES, BLACK / WHITE AISI 201 STAINLESS STEEL BARS



BA2130B

angled bar 130°

MATERIAL: AISI 201 stainless steel
FINISH: matte black epoxy

MEDIEPOXI SERIES, BLACK / WHITE AISI 201 STAINLESS STEEL BARS



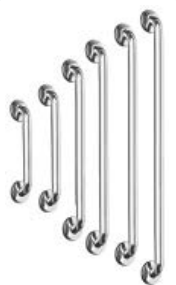
BA2130

angled bar 130°

MATERIAL: AISI 201 stainless steel
FINISH: white epoxy

MEDIEPOXI SERIES, BLACK / WHITE AISI 201 STAINLESS STEEL BARS

Guide to bathroom equipment and technical mobility aids for public facilities



- BR0300C**
length: 387 mm.
- BR0400C**
length: 537 mm.
- BR0600C**
length: 692 mm.
- BR0750C**
length: 842 mm.
- BR0900C**
length: 997 mm.
- BR1200C**
length: 1,200 mm.

straight bar
MATERIAL: AISI 304 stainless steel
FINISH: bright

MEDINOX SERIES
STEEL BARS, BRIGHT / SATIN FINISH AISI 304 STAINLESS STEEL



- BR0300CS**
length: 387 mm.
- BR0400CS**
length: 537 mm.
- BR0600CS**
length: 692 mm.
- BR0750CS**
length: 842 mm.
- BR0900CS**
length: 997 mm.
- BR1200CS**
length: 1,200 mm.

straight bar
MATERIAL: AISI 304 stainless steel
FINISH: satin

MEDINOX SERIES
STEEL BARS, BRIGHT / SATIN FINISH AISI 304 STAINLESS STEEL



BAI090C
angled bar 90°
457 x 866 mm.

MATERIAL: AISI 304 stainless steel
FINISH: bright

MEDINOX SERIES, BRIGHT / SATIN FINISH AISI 304 STAINLESS STEEL BARS



BAI090CS
angled bar 90°
457 x 866 mm.

MATERIAL: AISI 304 stainless steel
FINISH: satin

MEDINOX SERIES, BRIGHT / SATIN FINISH AISI 304 STAINLESS STEEL BARS



BAD090C
angled bar 90°
457 x 866 mm.

MATERIAL: AISI 304 stainless steel
FINISH: bright

MEDINOX SERIES, BRIGHT / SATIN FINISH AISI 304 STAINLESS STEEL BARS



BAD090CS
angled bar 90°
457 x 866 mm.

MATERIAL: AISI 304 stainless steel
FINISH: satin

MEDINOX SERIES, BRIGHT / SATIN FINISH AISI 304 STAINLESS STEEL BARS



BG0800C
vertical drop-down bar
738 mm.

MATERIAL: AISI 304 stainless steel
FINISH: bright

MEDINOX SERIES, BRIGHT / SATIN FINISH AISI 304 STAINLESS STEEL BARS



BG0800CS
vertical drop-down bar
738 mm.
BG0850CS
vertical drop-down bar
852 mm.

MATERIAL: AISI 304 stainless steel
FINISH: satin

MEDINOX SERIES, BRIGHT / SATIN FINISH AISI 304 STAINLESS STEEL BARS



BG0900CS
vertical drop-down bar
with brake 738 mm.

MATERIAL: AISI 304 stainless steel
FINISH: satin

MEDINOX SERIES, BRIGHT / SATIN FINISH AISI 304 STAINLESS STEEL BARS



BGC710C
vertical drop-down bar
with fixed column,
722 mm.

MATERIAL: AISI 304 stainless steel
FINISH: bright

MEDINOX SERIES, BRIGHT / SATIN FINISH AISI 304 STAINLESS STEEL BARS



BGC710CS
vertical drop-down bar
with fixed column,
722 mm.

MATERIAL: AISI 304 stainless steel
FINISH: satin

MEDINOX SERIES, BRIGHT / SATIN FINISH AISI 304 STAINLESS STEEL BARS

50 years providing solutions for bathroom equipment



BGA0820C

vertical drop-down bar with floor support 825 mm.

MATERIAL: **AISI 304** stainless steel
FINISH: **bright**

MEDINOX SERIES, BRIGHT / SATIN FINISH
AISI 304 STAINLESS STEEL BARS



BGA0820CS

vertical drop-down bar with floor anchor 825 mm.

MATERIAL: **AISI 304** stainless steel
FINISH: **satin**

MEDINOX SERIES, BRIGHT / SATIN FINISH
AISI 304 STAINLESS STEEL BARS



BS0010C

recessed wall bar to floor 846 x 780 mm

MATERIAL: **AISI 304** stainless steel
FINISH: **bright**

MEDINOX SERIES, BRIGHT / SATIN FINISH
AISI 304 STAINLESS STEEL BARS



BS0010CS

recessed wall to floor bar 846 x 780 mm.

MATERIAL: **AISI 304** stainless steel
FINISH: **satin**

MEDINOX SERIES, BRIGHT / SATIN FINISH
AISI 304 STAINLESS STEEL BARS



BG0089CS

horizontal drop-down bar with fixed column

MATERIAL: **AISI 304** stainless steel
FINISH: **satin**

MEDINOX SERIES, BRIGHT / SATIN FINISH
AISI 304 STAINLESS STEEL BARS



BSI020C

wall-to-floor bar with 3 anchor points 750 x 776 mm.

MATERIAL: **AISI 304** stainless steel
FINISH: **bright**

MEDINOX SERIES, BRIGHT / SATIN FINISH
AISI 304 STAINLESS STEEL BARS



BSI020CS

wall-to-floor bar with 3 anchor points 750 x 776 mm.

MATERIAL: **AISI 304** stainless steel
FINISH: **satin**

MEDINOX SERIES, BRIGHT / SATIN FINISH
AISI 304 STAINLESS STEEL BARS



BSD020C

wall-to-floor bar with 3 anchor points 750 x 776 mm.

MATERIAL: **AISI 304** stainless steel
FINISH: **bright**

MEDINOX SERIES, BRIGHT / SATIN FINISH
AISI 304 STAINLESS STEEL BARS



BSD020CS

wall-to-floor bar with 3 anchor points 750 x 776 mm.

MATERIAL: **AISI 304** stainless steel
FINISH: **satin**

MEDINOX SERIES, BRIGHT / SATIN FINISH
AISI 304 STAINLESS STEEL BARS



BFI600C

wall bar, 3 anchor points 615 mm.

MATERIAL: **AISI 304** stainless steel
FINISH: **bright**

MEDINOX SERIES, BRIGHT / SATIN FINISH
AISI 304 STAINLESS STEEL BARS



BFI600CS

wall bar, 3 anchor points 615 mm.

MATERIAL: **AISI 304** stainless steel
FINISH: **satin**

MEDINOX SERIES, BRIGHT / SATIN FINISH
AISI 304 STAINLESS STEEL



BFD600C

wall bar, 3 anchor points 615 mm.

MATERIAL: **AISI 304** stainless steel
FINISH: **bright**

MEDINOX SERIES, BRIGHT / SATIN FINISH
AISI 304 STAINLESS STEEL

Guide to bathroom equipment and technical mobility aids for public facilities



BFD600CS

wall bar,
3 anchor points
615 mm.

MATERIAL: AISI 304
stainless steel
FINISH: satin

MEDINOX SERIES, BRIGHT / SATIN FINISH
AISI 304 STAINLESS STEEL



BD0700C

angled bar, 2 walls
3 anchor points
796 x 801 mm.

MATERIAL: AISI 304
stainless steel
FINISH: bright

MEDINOX SERIES, BRIGHT / SATIN FINISH
AISI 304 STAINLESS STEEL



BD0700CS

angled bar, 2 walls
3 anchor points
796 x 801 mm.

MATERIAL: AISI 304
stainless steel
FINISH: satin

MEDINOX SERIES, BRIGHT / SATIN FINISH
AISI 304 STAINLESS STEEL



BTI090CS

angled bar, 2 walls
3 anchor points

MATERIAL: AISI 304
stainless steel
FINISH: satin

MEDINOX SERIES, BRIGHT / SATIN FINISH
AISI 304 STAINLESS STEEL

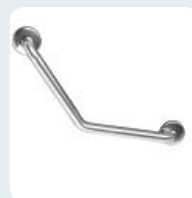


BTD090CS

angled bar, 2 walls
3 anchor points

MATERIAL: AISI 304
stainless steel
FINISH: satin

MEDINOX SERIES, BRIGHT / SATIN FINISH
AISI 304 STAINLESS STEEL



BA0130C

angled bar 130°

MATERIAL: AISI 304
stainless steel
FINISH: bright

MEDINOX SERIES, BRIGHT / SATIN FINISH
AISI 304 STAINLESS STEEL



BA0130CS

angled bar 130°

MATERIAL: AISI 304
stainless steel
FINISH: satin

MEDINOX SERIES, BRIGHT / SATIN FINISH
AISI 304 STAINLESS STEEL



AM0201C

Drop-down shower seat
410 x 450 mm.

MATERIAL: AISI 304
stainless steel
FINISH: bright

AM0201CS

Drop-down shower seat
410 x 450 mm.

MATERIAL: AISI 304
stainless steel
FINISH: satin

SHOWER SEATS



AM0100

Drop-down shower seat
with wall support
430 x 445 mm.

MATERIAL: AISI 304
stainless
steel /
phenolic slats
FINISH: white-marble
satin

SHOWER SEATS WITH WALL ANCHOR



AM0500

Reversible shower seat,
drop-down with
wall anchor
840 x 534 mm.

MATERIAL: AISI 304
stainless steel /
phenolic
slats
FINISH: white-marble
satin

SHOWER SEATS WITH WALL ANCHOR



AM0251C

Drop-down shower seat
with floor support
450 x 410 mm.

MATERIAL: AISI 304
stainless steel
FINISH: bright

AM0251CS

Drop-down shower seat
with floor support

MATERIAL: AISI 304
stainless steel
FINISH: satin

SHOWER SEATS WITH FLOOR SUPPORT



NEW

EP0350B

Fixed mirror
700 x 500 mm

MATERIAL: steel
FINISH: black epoxy

MIRRORS

50 years providing solutions for bathroom equipment



EP0350CS
Fixed mirror
700 x 500 mm

EP0450CS
Fixed mirror
800 x 600 mm

MATERIAL: **AISI 304**
stainless steel
FINISH: **satin**

MIRRORS



EP0300

EP0300
Pivoting mirror 700 x 500 mm
MATERIAL: **steel**
FINISH: **white epoxy**

EP0300CS
MATERIAL: **AISI 304**
stainless steel
FINISH: **satin**

EP0300B
NEW
MATERIAL: **steel**
FINISH: **black epoxy**

MIRRORS



EP0400CS
Pivoting mirror 800 x 600 mm

MATERIAL: **AISI 304**
stainless steel
FINISH: **satin**

MIRRORS



Guide to bathroom equipment and technical mobility aids for public facilities

13

Taking care of what matters most
CHANGING STATION



CP0016H

CP0016H-I
With ioniser

MATERIAL: polypropylene
FINISH: white

HORIZONTAL CHANGING STATIONS



CP0016HCS

CP0016HCS-I
With ioniser

MATERIAL: polypropylene/AISI 304 stainless steel
FINISH: satin

HORIZONTAL CHANGING STATIONS



CP0016HCSB

CP0016HCSB-I
With ioniser

MATERIAL: polypropylene/AISI 304 stainless steel
FINISH: matte black

HORIZONTAL CHANGING STATIONS



CN0020

Sanitary
liner refill

CONTENT: 2,000 u

ACCESSORIES



CP0016V

CP0016V-I
With ioniser

MATERIAL: polypropylene
FINISH: white

VERTICAL CHANGING STATIONS



CP0016VCS

CP0016VCS-I
With ioniser

MATERIAL: polypropylene/AISI 304 stainless steel
FINISH: satin

VERTICAL CHANGING STATIONS



CP0016VCSB

CP0016VCSB-I
With ioniser

MATERIAL: polypropylene/AISI 304 stainless steel
FINISH: matte black

VERTICAL CHANGING STATIONS



KT0016HCS

Horizontal changing station
recess kit

MATERIAL: AISI 304 stainless steel
FINISH: satin

CHANGING STATION
RECESS KIT



KT0016HCSB

Horizontal changing station
recess kit

MATERIAL: AISI 304 stainless steel
FINISH: matte black

CHANGING STATION
RECESS KIT

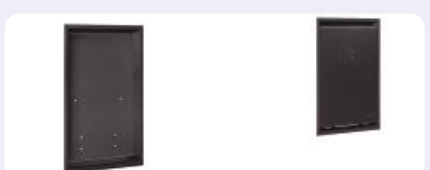


KT0016VCS

Vertical changing station recess
kit

MATERIAL: AISI 304 stainless steel
FINISH: satin

CHANGING STATION
RECESS KIT



KT0016VCSB

Vertical changing station recess
kit

MATERIAL: AISI 304 stainless steel
FINISH: matte black

CHANGING STATION
RECESS KIT

14



Designed to endure

STAINLESS STEEL SANITARY WARE



SN0027C

SN0031C

SN0036C

ALSO AVAILABLE FOR FITTING UNDER COUNTERTOP

Recessed washbasin
MATERIAL: AISI 304 stainless steel
FINISH: bright

WASHBASIN / RECESSED



SN0027CS

SN0031CS

SN0036CS

ALSO AVAILABLE FOR FITTING UNDER COUNTERTOP

Recessed washbasin
MATERIAL: AISI 304 stainless steel
FINISH: satin

WASHBASIN / RECESSED



SNR027C

SNR031C

SNR036C

ALSO AVAILABLE FOR FITTING UNDER COUNTERTOP

Recessed washbasin with overflow
MATERIAL: AISI 304 stainless steel
FINISH: bright

WASHBASIN / RECESSED



SNR027CS

SNR031CS

SNR036CS

ALSO AVAILABLE FOR FITTING UNDER COUNTERTOP

Recessed washbasin with overflow
MATERIAL: AISI 304 stainless steel
FINISH: satin

WASHBASIN / RECESSED



KTR100
Overflow kit

MATERIAL: AISI 304 stainless steel
FINISH: bright

OVERFLOW KIT



SN0300CS

3-station washbasin

SN0200CS

2-station washbasin

NEW

MATERIAL: AISI 304 stainless steel
FINISH: satin

WALL-MOUNTED WASHBASIN



SNLM62CS

wall-mounted washbasin

AVAILABLE IN BRIGHT FINISH. CONTACT US!

MATERIAL: AISI 304 stainless steel
FINISH: satin

WALL-MOUNTED WASHBASIN



SNLM64CS

corner wall-mounted washbasin

AVAILABLE IN BRIGHT FINISH. CONTACT US!

MATERIAL: AISI 304 stainless steel
FINISH: satin

CORNER WALL-MOUNTED WASHBASIN



SNLM58CS

wall-mounted washbasin

MATERIAL: AISI 304 stainless steel
FINISH: satin

WALL-MOUNTED WASHBASIN



SNLM56CS

wall-mounted washbasin

MATERIAL: AISI 304 stainless steel
FINISH: satin

WALL-MOUNTED WASHBASIN



SNLM35CS

wall-mounted washbasin

MATERIAL: AISI 304 stainless steel
FINISH: satin

WALL-MOUNTED WASHBASIN

Guide to bathroom equipment and technical mobility aids for public facilities



SNLMP60CS
Foot pedal washbasin

AVAILABLE IN BRIGHT FINISH. CONTACT US!

MATERIAL: AISI 304 stainless steel
FINISH: satin

FOOT PEDAL WASHBASIN



SNLMP70CS
Knee pedal washbasin

AVAILABLE IN BRIGHT FINISH. CONTACT US!

MATERIAL: AISI 304 stainless steel
FINISH: satin

KNEE PEDAL WASHBASIN



SN0800CS
Shower tray
800 x 800 mm.

MATERIAL: AISI 304 stainless steel
FINISH: satin

SHOWER TRAYS



SNU126CS
Vertical water inlet urinal

AVAILABLE IN BRIGHT FINISH. CONTACT US!

MATERIAL: AISI 304 stainless steel
FINISH: bright

URINALS



SNU128CS
Horizontal water inlet urinal

AVAILABLE IN BRIGHT FINISH. CONTACT US!

MATERIAL: AISI 304 stainless steel
FINISH: satin

URINALS



NEW

SN0120CS
Toilet with cistern
(cover not included)

MATERIAL: AISI 304 stainless steel
FINISH: Bacteriostatic satin

TOILET



SN0125CS
Toilet

AVAILABLE IN BRIGHT FINISH. CONTACT US!

seat with lid not included

MATERIAL: AISI 304 stainless steel
FINISH: satin

TOILET



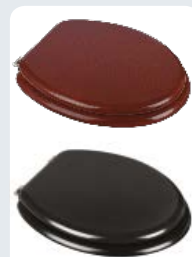
SN0128CS
Wall-mounted toilet

AVAILABLE IN BRIGHT FINISH. CONTACT US!

seat with lid not included

MATERIAL: AISI 304 stainless steel
FINISH: satin

WALL-MOUNTED TOILET



TP0140
MATERIAL: lacquered wood
FINISH: mahogany colour

TP0145
MATERIAL: lacquered wood
FINISH: black colour

Toilet seat covers SN0120CS, SN0125CS and SN0128CS

TOILET SEAT COVER

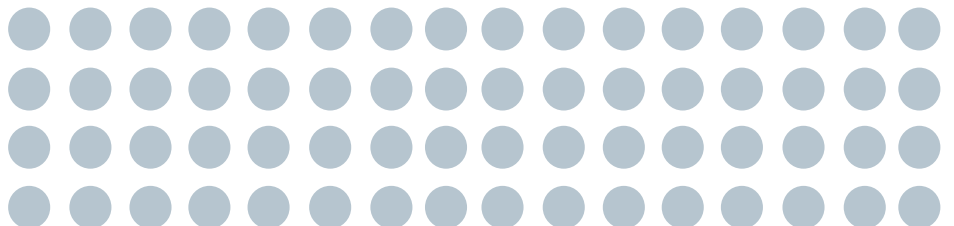


SNPT21CS
Squat toilet

AVAILABLE IN BRIGHT FINISH. CONTACT US!

MATERIAL: AISI 304 stainless steel
FINISH: satin

SQUAT TOILET



15

The best of nature

WATER DISPENSERS AND FOUNTAINS



FA0050C

CAPACITY
REFRIGERATOR: **55 L./H.**
MATERIAL: **AISI 304**
stainless steel
FINISH: **bright**

FA0025C

CAPACITY
REFRIGERATOR: **30 l/h**
MATERIAL: **AISI 304**
stainless steel
FINISH: **bright**

COLD WATER FOUNTAINS



CAPACITY
REFRIGERATOR: **55 L./H.**
MATERIAL: **AISI 304**
stainless steel
FINISH: **bright**

FAP025C

CAPACITY
REFRIGERATOR: **30 L./H.**
MATERIAL: **AISI 304**
stainless steel
FINISH: **bright**

COLD WATER FOUNTAINS WITH PEDAL



FA0015C

CAPACITY
REFRIGERATOR: **20 L./H.**
MATERIAL: **AISI 304**
stainless steel
FINISH: **bright**

FA0015G

CAPACITY
REFRIGERATOR: **20 l/h**
MATERIAL: **steel**
FINISH: **grey plastic**
coating

COLD WATER FOUNTAINS



FAP035C

CAPACITY
REFRIGERATOR: **30 L./H.**
MATERIAL: **AISI 304**
stainless steel
FINISH: **bright**

COLD WATER FOUNTAINS WITH PEDAL



FA0025UP

CAPACITY
REFRIGERATOR: **30 L./H.**
MATERIAL: **steel**
FINISH: **grey plastic**
coating

COLD WATER FOUNTAINS



FAM130CS
Wall dispenser

MATERIAL: **AISI 304**
stainless steel
FINISH: **satin**

MAINS WATER DISPENSERS



NEW

FAM135CS
Wall dispenser
with vessel filling

MATERIAL: **AISI 304**
stainless steel
FINISH: **satin**

MAINS WATER DISPENSERS
WITH VESSEL FILLING



FAM120CS
Wall dispenser

MATERIAL: **AISI 304**
stainless steel
FINISH: **satin**

MAINS WATER DISPENSERS



FA0220CS

FA0120CS
800 mm
high island

FA0220CS
915 mm
high island

MATERIAL: **AISI 304**
stainless steel
FINISH: **satin**

MAINS WATER DISPENSERS



FA0125CS

FA0125CS
800 mm high
island with ves-
sel filling

FA0225CS
915 mm high
island with vessel filling

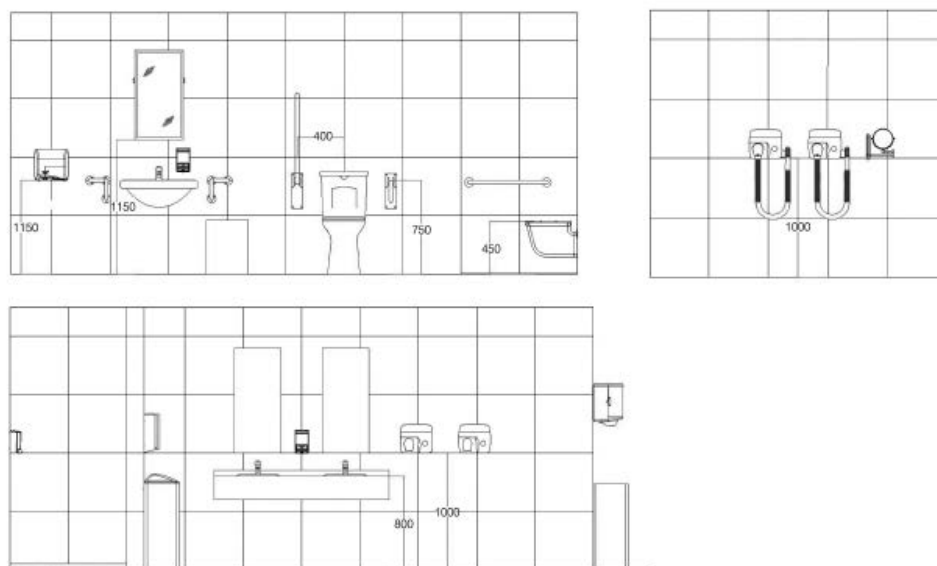
MATERIAL: **AISI 304**
stainless steel
FINISH: **satin**

MAINS WATER DISPENSERS

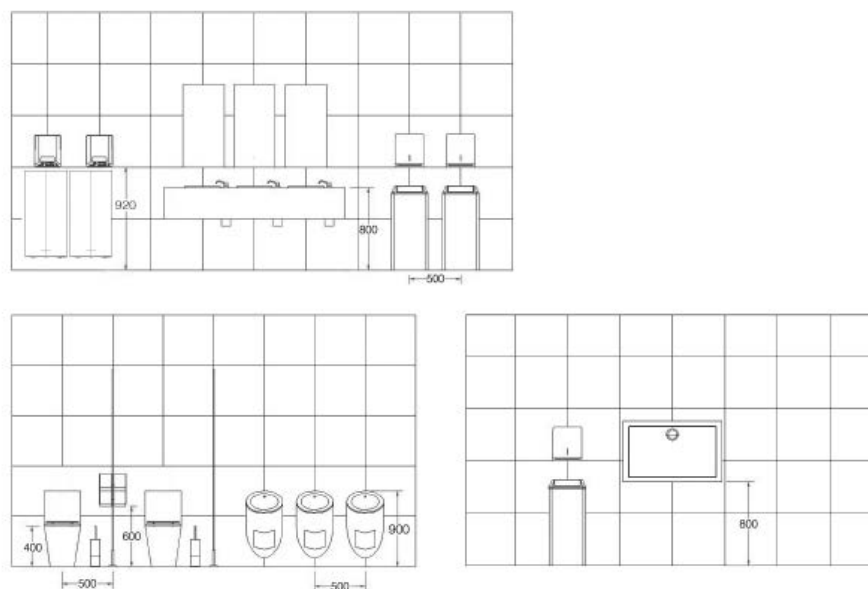


EXAMPLES AND RECOMMENDED INSTALLATION HEIGHTS

GYM

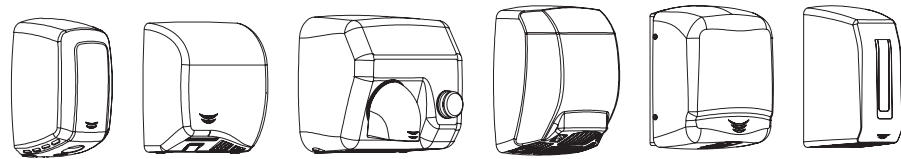
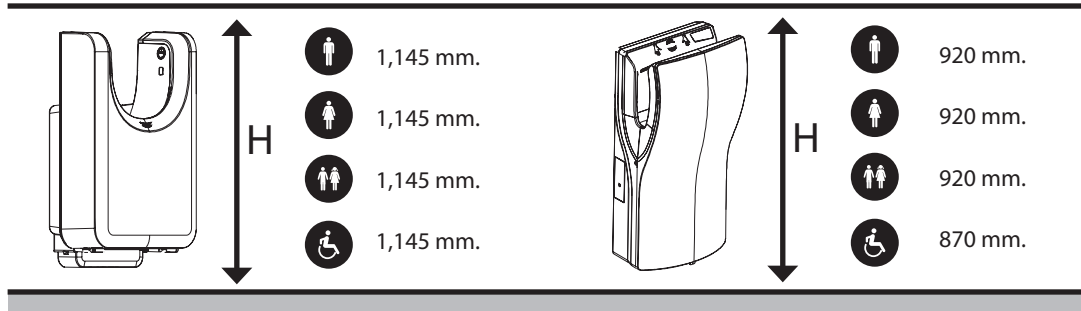


AIRPORT

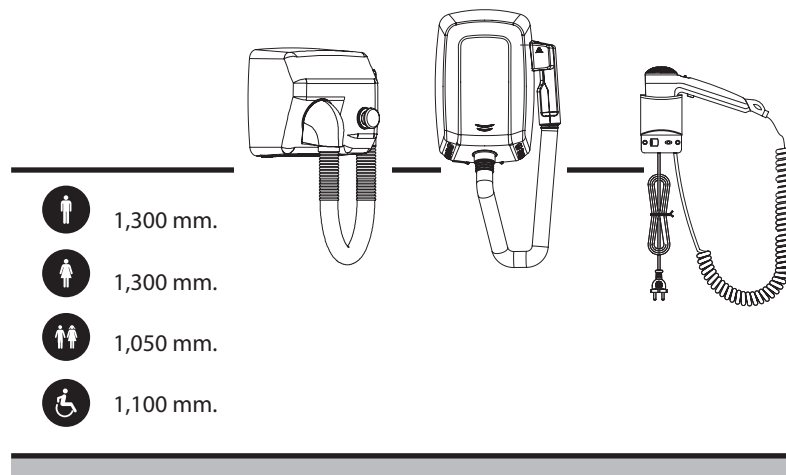
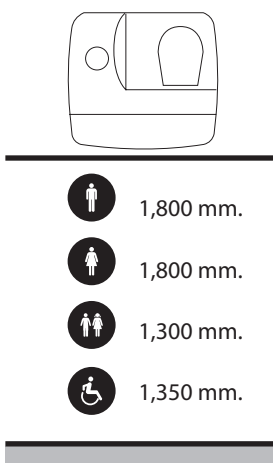


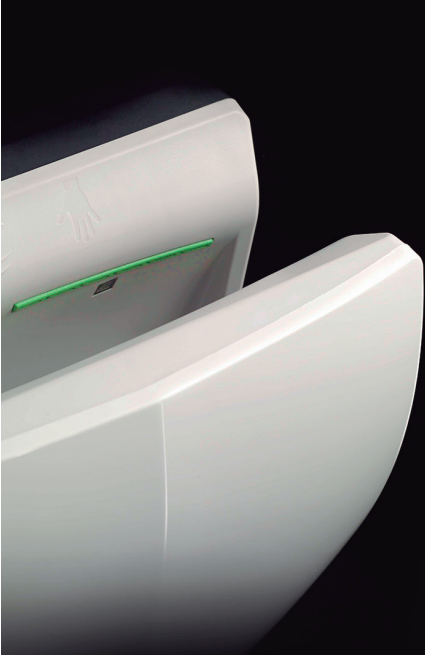
EXAMPLES AND RECOMMENDED INSTALLATION HEIGHTS

HEIGHT FOR HAND DRYERS



HEIGHT FOR HAIR DRYERS





50 YEARS **mediclinics**

